

VULCAN

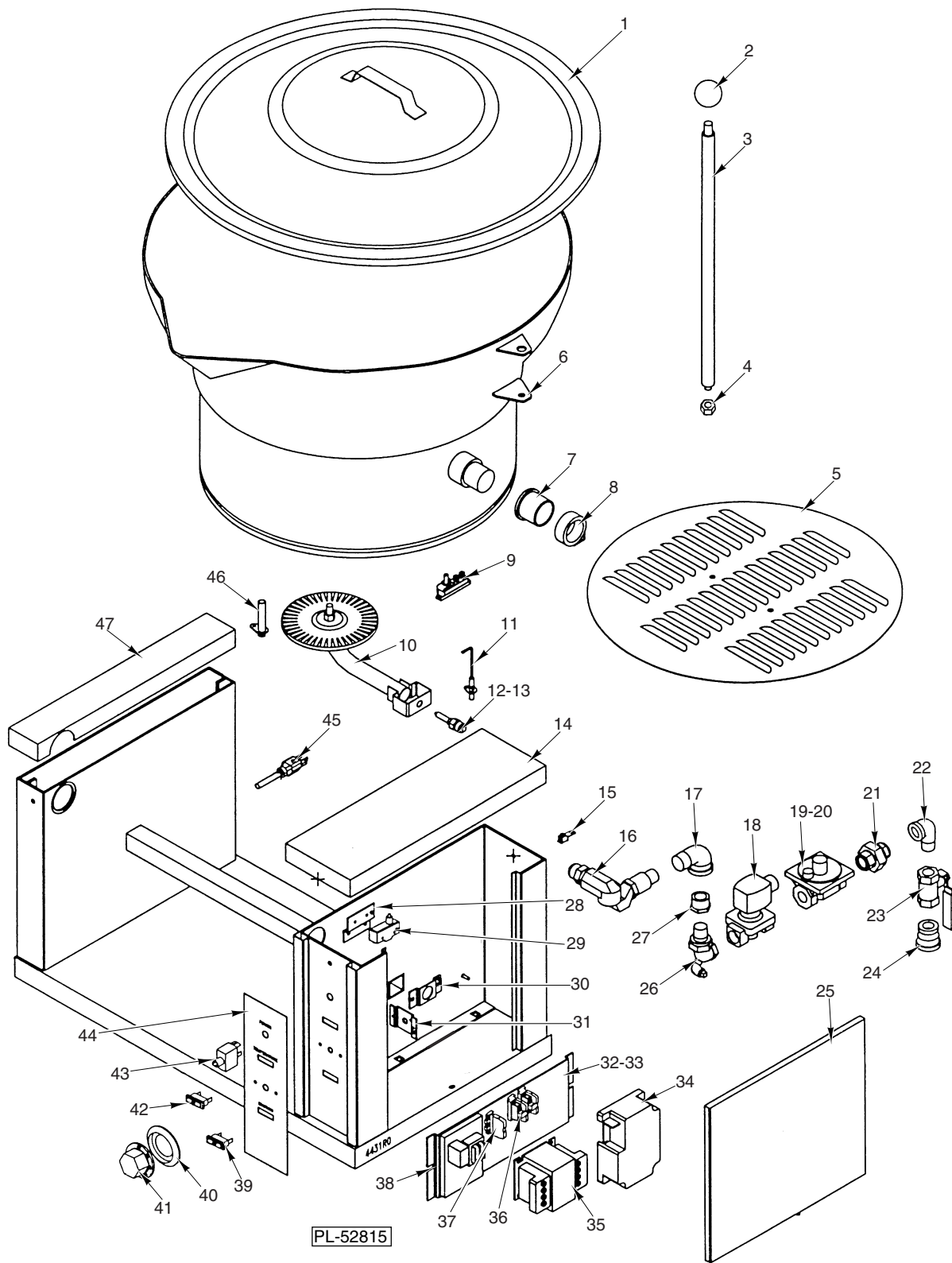
*CATALOG OF
REPLACEMENT PARTS*

TILTING SKILLET

MODEL

VGCTS16 ML-114827





TILTING SKILLET ASSEMBLY

TILTING SKILLET ASSEMBLY

| ILLUS. PL-52815 | PART NO. | NAME OF PART | AMT. |
|--------------------|-----------------|---|------|
| 1 | 00-851370 | Cover Assy. | 1 |
| 2 | 00-836964 | Knob | 1 |
| 3 | 00-851372 | Handle | 1 |
| 4 | 00-851373 | Nut - Acorn | 1 |
| 5 | 00-851393 | Cover - Bottom | 1 |
| 6 | 00-851371 | Pan Assembly | 1 |
| 7 | 00-851374 | Bearing | 2 |
| 8 | 00-851392 | Collar - Actuator | 1 |
| 9 | 00-844367-00064 | Thermostat - Hi-Limit | 1 |
| 10 | 00-851394 | Burner | 1 |
| 11 | 00-844367-00066 | Sensor - Flame | 1 |
| 12 | 00-851386 | Orifice (NAT)(Select as Required) | 1 |
| 13 | 00-851387 | Orifice (LP)(Select as Required) | 1 |
| 14 | 00-851391 | Cover - Console (R.H.) | 1 |
| 15 | 00-844367-00008 | Lug - Ground | 1 |
| 16 | 00-850151 | Joint - Gas Swivel | 1 |
| 17 | 00-851017 | Elbow - Street 3/4 | 1 |
| 18 | 00-844367-00049 | Solenoid - Gas | 1 |
| 19 | 00-844367-00047 | Regulator - Gas Pressure (Nat) | 1 |
| 20 | 00-844367-00048 | Regulator - Gas Pressure (LP) | 1 |
| 21 | FP-022-11 | Union - Pipe | 1 |
| 22 | FP-013-17 | Elbow - Street 1/2 x 90 Deg. | 1 |
| 23 | 00-844367-00059 | Valve - Gas Shut-Off | 1 |
| 24 | 00-851531 | Coupling - Red | 1 |
| 25 | 00-851395 | Panel - Access | 1 |
| 26 | 00-851527 | Union Elbow | 1 |
| 27 | FP-026-20 | Bushing - Red 3/4 to 1/2 | 1 |
| 28 | 00-851399 | Bracket - Switch Mounting | 1 |
| 29 | 00-881971 | Switch - Limit | 1 |
| 30 | 00-851398 | Bracket - Retaining | 1 |
| 31 | 00-851397 | Spacer - Pot | 1 |
| 32 | 00-844367-00053 | Controller - Potentiometer (120V)(Select as Required) | 1 |
| 33 | 00-850545 | Control - Pot Clockwise (240V)(Select as Required) | 1 |
| 34 | 00-851419 | Module - Ignition | 1 |
| 35 | 00-844367-00056 | Transformer | 1 |
| 36 | 00-844367-00051 | Block - Terminal (208V. Thru 480V.) | 2 |
| 37 | 00-844367-00052 | Section - End | 1 |
| 38 | 00-851396 | Plate - Component Mounting | 1 |
| 39 | 00-850589 | Light - Pilot (Green)(28V) | 1 |
| 40 | 00-844367-00005 | Bezel | 1 |
| 41 | 00-851401 | Dial Assembly | 1 |
| 42 | 00-844485 | Light - Pilot (Red)(120V) | 1 |
| 43 | 00-881970 | Switch - Power | 1 |
| 44 | 00-851400 | Label - Control | 1 |
| 45 | 00-851389 | Cord Set | 1 |
| 46 | 00-851388 | Coil - Glow | 1 |
| 47 | 00-851390 | Cover - Console (L.H.) | 1 |
| | 00-851566 | Pan - Sliding Drain | 1 |
| | 00-850604 | Foot - Adjustable | 4 |
| | 00-851542 | Strainer | 1 |
| | 00-844367-00060 | Ignition Wire Harness | 1 |
| | 00-850153 | Block - Terminal | 2 |
| | 00-851322 | Boot - Rubber | 1 |
| | 00-850687 | Thermocouple | 1 |
| | 00-851402 | Thermocouple | 1 |
| | 00-851403 | Label - Operation (English) | 1 |
| | 00-851545 | Open Stand W/Sliding Pan and Hose | 1 |
| | 00-850480 | Hose | 1 |
| | 00-850700 | Clamp - Hose | 1 |

