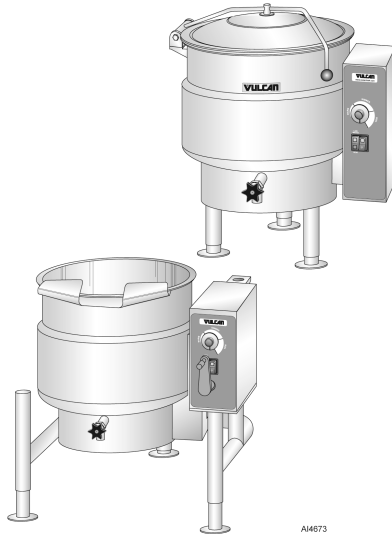




CATALOG OF REPLACEMENT PARTS

ELECTRIC 2/3 JACKETED STATIONARY & TILTING KETTLES

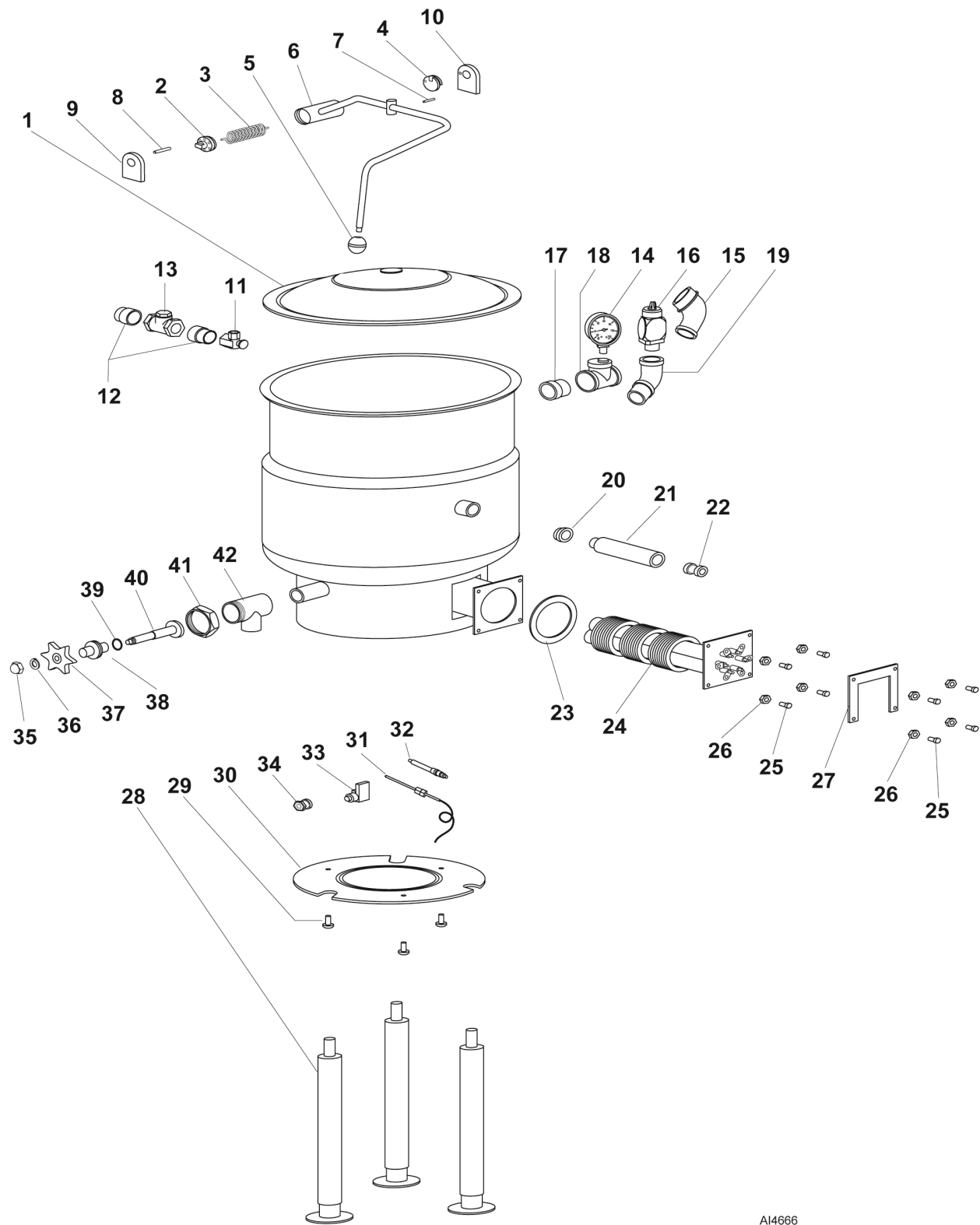


K20EL
K20ELT
K40EL
K40ELT
K60EL
K60ELT

ML-136073
ML-136077
ML-136074
ML-136078
ML-136075
ML-136079

Table of Contents

5	K20EL, K40EL AND K60EL COMPLETE ASSEMBLY
7	K20EL, K40EL, AND K60EL CONTROL PANEL
9	K20ELT, K40ELT, AND K60ELT
13	K20ELT, K40ELT, AND K60ELT CONTROL PANEL
15	OPTIONAL SPRING ASSIST COVER
17	2" DRAW-OFF VALVE
19	3" COMPRESSION VALVE
21	F35458 COVER PAGE



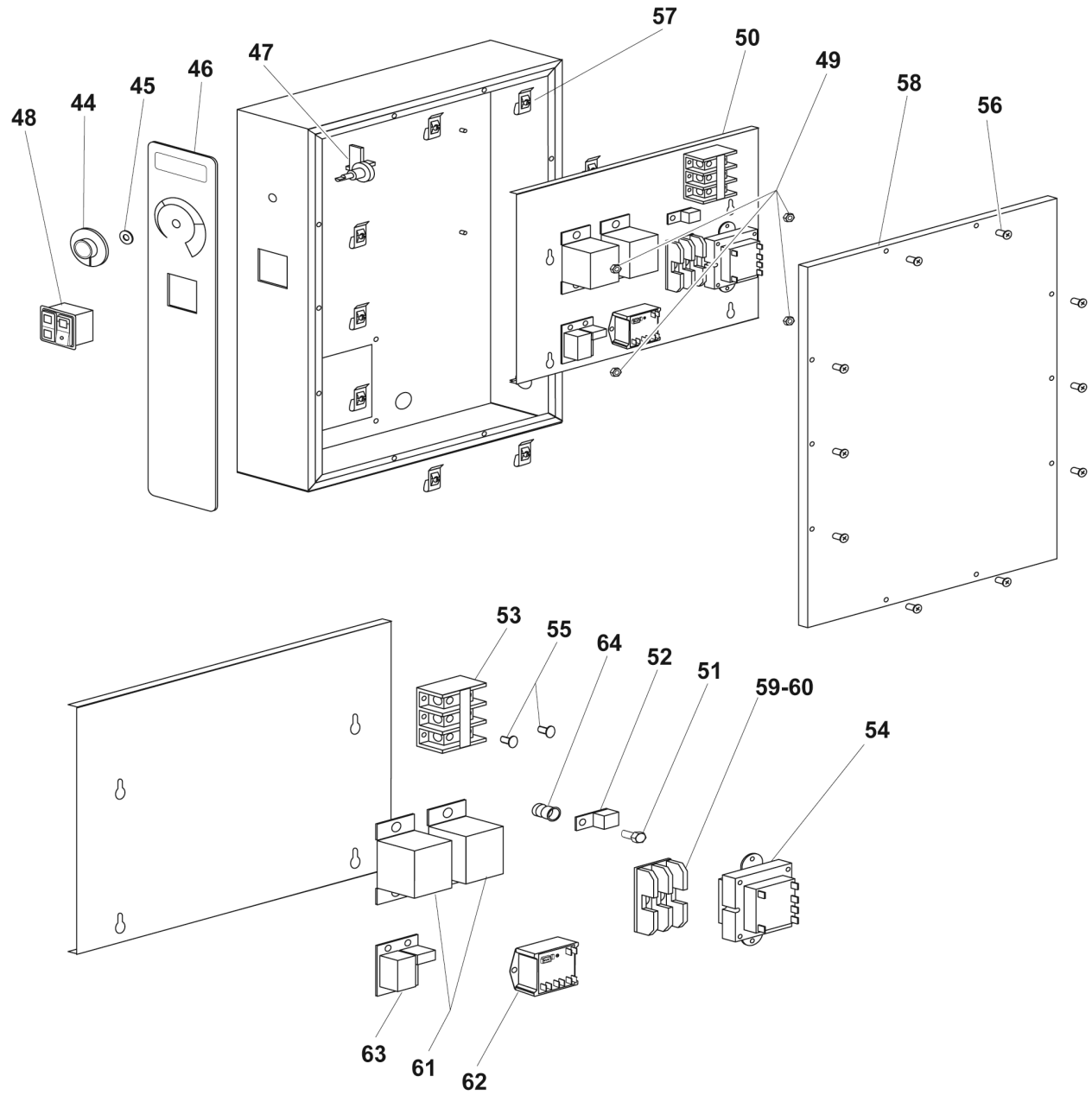
AI4666

K20EL, K40EL AND K60EL COMPLETE ASSEMBLY

K20EL, K40EL AND K60EL COMPLETE ASSEMBLY

ILLUS. PL-AI4666	PART NO.	NAME OF PART	AMT.
1	00-856490-00002	Lid Assy. 20 Gal - K20EL.....	1
	00-856495-00002	Lid Assy. 40 Gal - K40EL.....	1
	00-856500-00002	Lid Assy. 60 Gal - K60EL.....	1
2	00-853292-00001	Disc - Tension Adjustment.....	1
3	00-853289-00001	Spring - Torsion.....	1
4	00-853293-00001	Disc - Rotary Stop.....	1
5	00-853285-00001	Knob - Press On.....	1
6	00-856485-00001	NLA - Obsolete--Weldment, Handle, 20 Gal - K20EL.....	1
	00-856491-00001	Weldment, Handle, 40 Gal - K40EL.....	1
	00-856496-00001	Weldment, Handle, 60 Gal - K60EL.....	1
7	RP-004-31	Roll Pin 1/4 x 1.....	1
8	00-853284-00001	Pin - Lock.....	1
9	00-853286-00001	Plate - Front.....	1
10	00-855220-00002	Plate - Rear Angle.....	1
11	00-833501	Valve 1/2 Angle.....	1
12	FP-054-08	Pipe, 1/2" X 1.125.....	2
13	00-833648-00002	Valve - Swing Check 1/2" (Brass).....	1
14	00-855954-00001	Gauge, Pressure.....	1
15	FP-015-24	Elbow - Pipe 3/4 x 90 Deg. (Brass).....	1
16	00-855968-00001	Valve - Relief (50 PSI).....	1
17	FP-041-50	Pipe, 3/4 X 1.125.....	1
18	FP-019-32	Tee 3/4 x 3/4 x 1/2 Reducing Pipe.....	1
19	FP-015-24	Elbow - Pipe 3/4 x 90 Deg. (Brass).....	1
20	00-856566-00001	Grommet.....	1
21	00-857105-00001	Conduit, Liquid Tight.....	1
22	00-857104-00001	Connector, Liquid Tight Conduit.....	1
23	00-857131-00001	Gasket, Heating Element.....	1
24	00-856185-00001	Kit, 208V 18kW Heating Element K40-K60 EL/ELT (includes item 23).....	1
	00-856185-00002	Kit, 240V 18kW Heating Element K40-K60 EL/ELT (includes item 23).....	1
	00-856185-00003	Kit, 480V 18kW Heating Element K40-K60 EL/ELT (includes item 23).....	1
	00-856573-00001	Kit, 208/240V 12kW Heating Element K20EL/ELT (includes item 23).....	1
	00-856573-00002	Kit, 480V 12kW Heating Element K20EL/ELT (includes item 23).....	1
	00-856185-00004	Kit, 208V 24kW Heating Element K40-K60 EL/ELT (includes item 23).....	1
	00-856185-00005	Kit, 240V 24kW Heating Element K40-K60 EL/ELT (includes item 23).....	1
	00-856185-00006	Kit, 480V 24kW Heating Element K40-K60 EL/ELT (includes item 23).....	1
25	SC-041-14	Cap Screw 5/16-18 x 1-1/8 Hex Hd. (SST) (factory supplied).....	8
26	NS-015-11	Nut 5/16-18 Hex (SST).....	8
27	00-856432-00001	Control Box - HTG Flange Seal.....	1
28	00-856977-00001	Leg & Flange Foot.....	3
29	SC-066-06	Mach. Screw 10-24 x 1/2 Phil. Truss Hd. (SST).....	3
30	00-856449-00001	Bottom Ring Cover Plate Assembly - K20EL.....	1
	00-856434-00001	Bottom Ring Cover Plate Assembly - K40EL.....	1
	00-856460-00001	Bottom Ring Cover Plate Assembly - K60EL.....	1
31	00-856042-00001	Sensor - Temperature.....	1
32	00-855856-00001	Probe - Water Level.....	1
33	00-856045-00001	Switch - Pressure.....	1
34	FP-090-36	Coupling - Anchor 1/8 (Brass).....	1
*35	00-856213-00008	Acorn Nut, 10.....	1
*36	00-856213-00009	Washer Lock Washer, 10.....	1
*37	00-856213-00005	Valve Handle.....	1
*38	00-856213-00006	Retainer.....	1
*39	00-856213-00007	O-Ring.....	1
*40	00-856213-00003	Disc & Stem Assy.....	1
*41	00-856213-00004	Nut - Hex.....	1
*42	00-856213-00002	Valve Body (2 In.).....	1

* For the 2" Compression Draw-Off Valve:

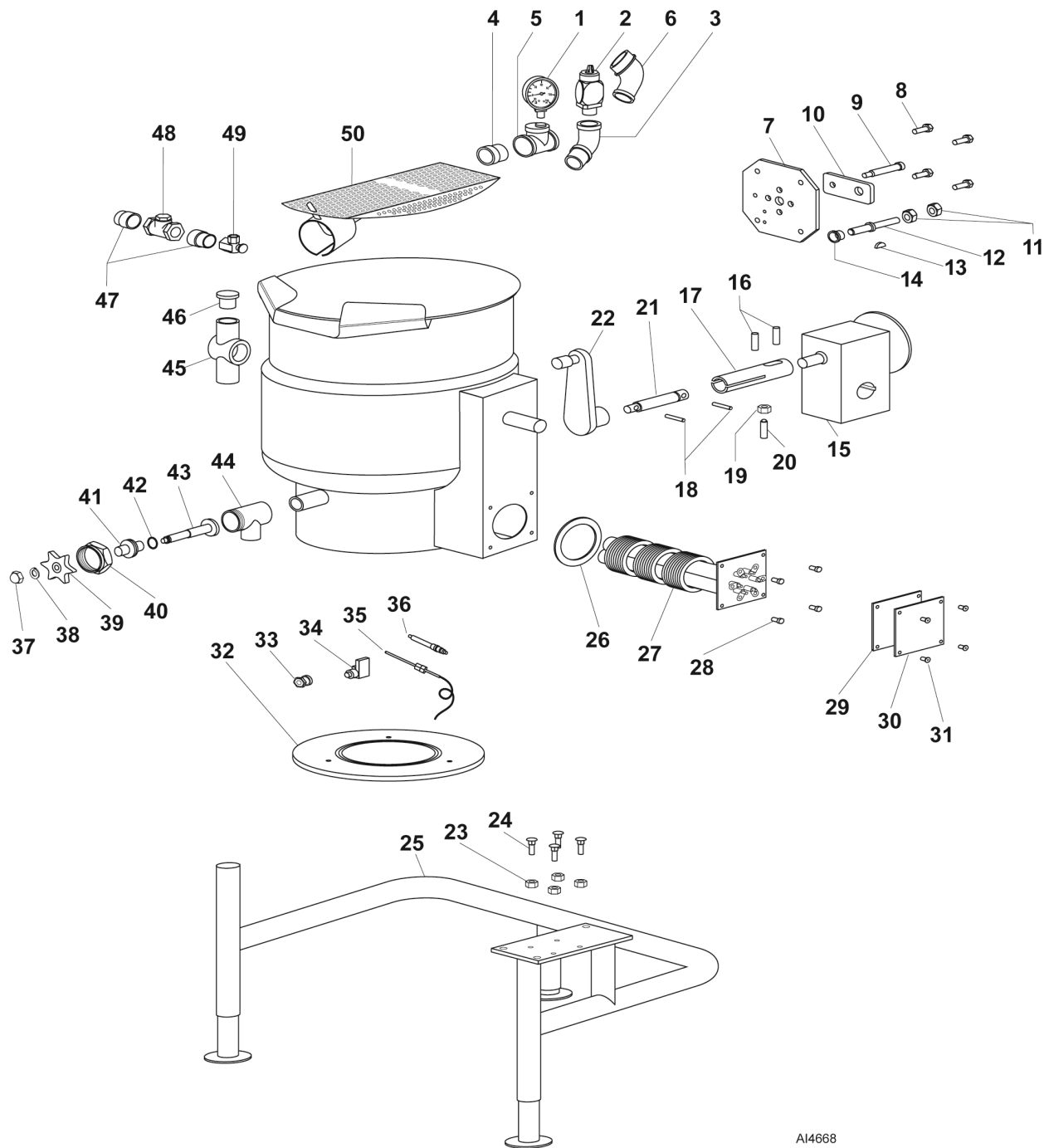


AI4667

K20EL, K40EL, AND K60EL CONTROL PANEL

K20EL, K40EL, AND K60EL CONTROL PANEL

ILLUS.	PART NO.	NAME OF PART	AMT.
PL-AI4667			
44	00-854647-00001	Knob - Control.....	1
45	00-854693-00001	Shaft - Rotary Seal.....	1
46	00-856476-00001	NLA - Obsolete--Overlay, Control Panel.....	1
47	00-857389-00001	Potentiometer 24MM.....	1
48	00-855797-00005	Switch Assy. (Power with Indicator Lights).....	1
49	NS-048-63	Nut, Stop, SP 1/4-20 (RGLR LIGHT).....	4
50	00-857135-00001	Panel, Electrical.....	1
51	SC-120-23	Mach. Screw 10-24 x 3/8 Hex Hd. Ground.....	1
52	00-118544-00002	Lug - Grounding.....	1
53	00-410472-00008	Block - Terminal (3-Pole).....	1
54	00-294500-00033	Transformer.....	1
55	SD-019-29	Self-Tapping Screw 6-20 x 1/2 Phil. Pan Hd., Type B.....	10
56	SC-066-06	Mach. Screw 10-24 x 1/2 Phil. Truss Hd. (SST).....	10
57	00-854766-00001	Speed Nut, J Type-1024.....	10
58	00-856166-00001	Assembly, Power Box Lid.....	1
59	00-855028-00001	Block - Fuse.....	1
60	00-854700-00001	Fuse - Class CC 3 Amp Time Delay.....	AR
61	00-840115	Contactora (25 Amp.) Block.....	2
62	00-857112-00001	Controller - Temperature.....	1
63	00-844070-00001	Control - Low Water.....	1
64	00-328479-00002	Nut - Insert (.515 X .400 Monel).....	1



AI4668

K20ELT, K40ELT, AND K60ELT

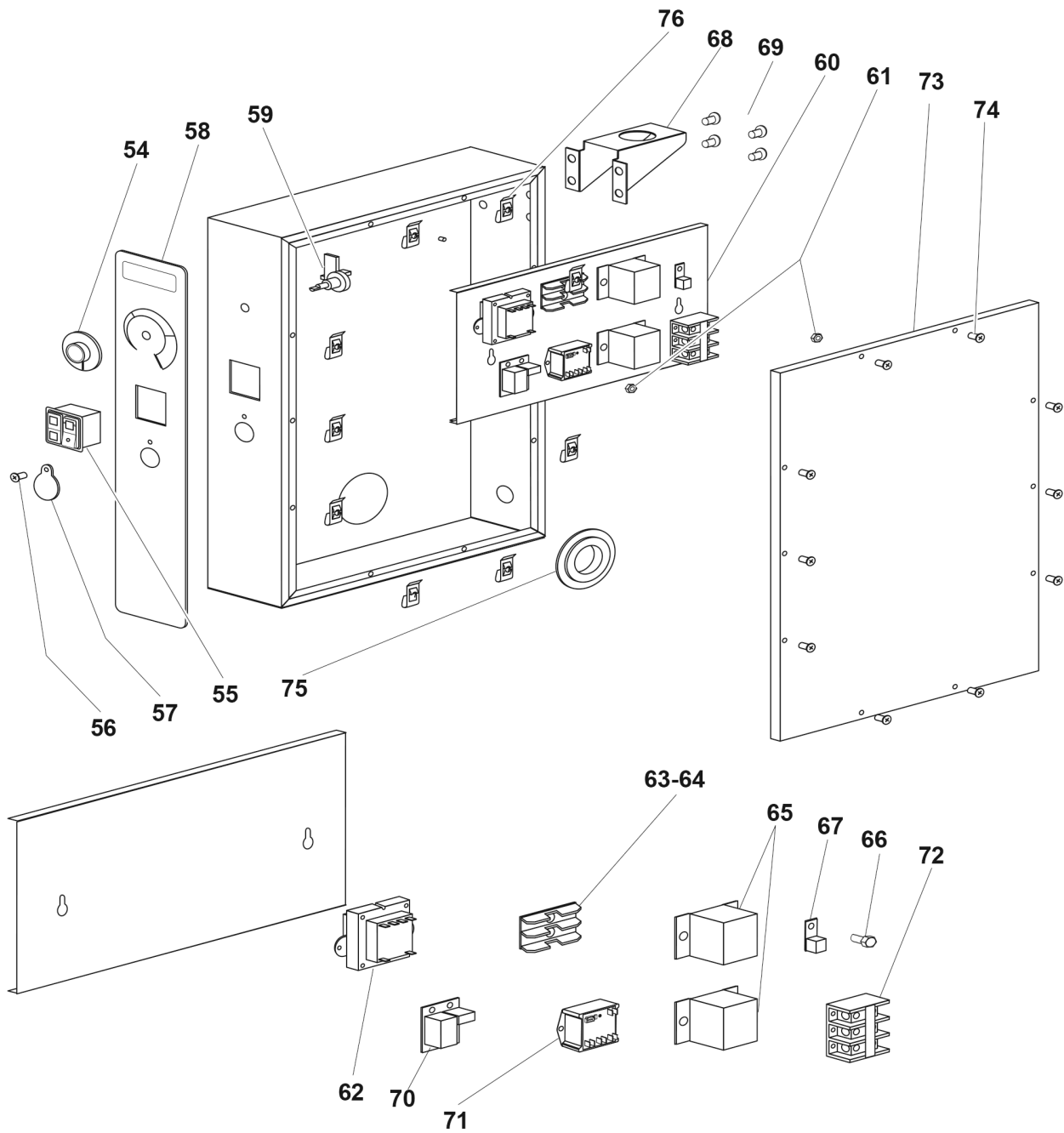
K20ELT, K40ELT, AND K60ELT

ILLUS.	PART NO.	NAME OF PART	AMT.
PL-AI4668			
1	00-855954-00001	Gauge, Pressure.....	1
2	00-855968-00001	Valve - Relief (50 PSI).....	1
3	FP-015-24	Elbow - Pipe 3/4 x 90 Deg. (Brass).....	1
4	FP-041-50	Pipe 3/4 x 1-3/8 TBE (Brass).....	1
5	FP-019-32	Tee 3/4 x 3/4 x 1/2 Reducing Pipe.....	1
6	FP-015-24	Elbow - Pipe 3/4 x 90 Deg. (Brass).....	1
7	00-856854-00001	Plate - Positive Stop.....	1
8	SC-041-30	Cap Screw 3/8-16 x 1 Hex Hd. (SST).....	4
9	SC-130-09	Shoulder Screw 3/8 Dia. 5/16-18 x 2 Hex Socket Hd.....	1
10	00-856855-00001	Traveller - Positive Stop.....	1
11	NS-041-09	NLA - Obsolete--Lock Nut 1/2-13 Hex.....	2
12	00-856856-00001	Shaft - Positive Stop.....	1
13	KW-003-07	Key - Woodruff 3/16 x 5/8.....	1
14	00-857295-00001	Bearing 1/2 (Bronze).....	1
15	00-856184-00002	Gear - Reducer (80:1).....	1
16	RP-003-36	Pin - Roll .312 X 1.500.....	2
17	00-854644-00001	Extension - Shaft (Gear Reducer).....	1
18	RP-002-46	Pin - Roll.....	2
19	NS-011-18	Nut 10-24 Hex (SST).....	1
20	00-854649-00001	Detent - Ball.....	1
21	00-854652-00001	Shaft - Handle.....	1
22	00-854651-00001	Handle - Crank.....	1
23	NS-015-20	Nut 1/2-13 Hex (SST).....	4
24	SC-082-45	Bolt, Sq. Neck 1/2-20 UNF X 1.750 L.....	4
25	00-856306-00001	Weldment, frame - K20ELT.....	1
	00-856245-00001	Weldment, frame - K40ELT.....	1
	00-856172-00001	Weldment, frame - K60ELT.....	1
26	00-857131-00001	Gasket, Heating Element.....	1
27	00-856185-00001	Kit, 208V 18kW Heating Element K40-K60 EL/ELT (includes item 26).....	1
	00-856185-00002	Kit, 240V 18kW Heating Element K40-K60 EL/ELT (includes item 26).....	1
	00-856185-00003	Kit, 480V 18kW Heating Element K40-K60 EL/ELT (includes item 26).....	1
	00-856573-00001	Kit, 208/240V 12kW Heating Element K20EL/ELT (includes item 26).....	1
	00-856573-00002	Kit, 480V 12kW Heating Element K20EL/ELT (includes item 26).....	1
	00-856185-00004	Kit, 208V 24kW Heating Element K40-K60 EL/ELT (includes item 26).....	1
	00-856185-00005	Kit, 240V 24kW Heating Element K40-K60 EL/ELT (includes item 26).....	1
	00-856185-00006	Kit, 480V 24kW Heating Element K40-K60 EL/ELT (includes item 26).....	1
28	SC-041-11	Cap Screw 5/16-18 x 3/4 Hex Hd. (SST).....	4
29	00-857130-00001	Gasket, Heater Cover.....	1
30	00-857129-00001	Cover, Heater Access.....	1
31	SC-066-06	Mach. Screw 10-24 x 1/2 Phil. Truss Hd. (SST).....	4
32	00-855957-00001	Bottom Ring Cover Plate Assembly - K20ELT.....	1
	00-856237-00001	Bottom Ring Cover Plate Assembly - K40ELT.....	1
	00-856155-00001	Bottom Ring Cover Plate Assembly - K60ELT.....	1
33	FP-090-36	Coupling - Anchor 1/8 (Brass).....	1
34	00-856045-00001	Switch - Pressure.....	1
35	00-856042-00001	Sensor - Temperature.....	1
36	00-855856-00001	Probe - Water Level.....	1
37	00-856213-00008	Nut Acorn.....	1
38	00-856213-00009	Washer Lock.....	1
39	00-856213-00005	Handle.....	1
40	00-856213-00004	Nut - Hex.....	1
41	00-856213-00006	Retainer.....	1
42	00-856213-00007	O-Ring.....	1
43	00-856213-00003	Disc & Stem Assy.....	1
44	00-856213-00002	Valve Body (2 In.).....	1

K20ELT, K40ELT, AND K60ELT

ILLUS.	PART NO.	NAME OF PART	AMT.
PL-AI4668			
45	00-856178-00001	Casting, Pivot.....	1
46	00-856563-00001	Bushing, Bronze.....	1
47	FP-054-08	Pipe 1/2 x 1-1/8 TBE (SST).....	2
48	00-833648-00002	Valve - Swing Check 1/2" (Brass).....	1
49	00-833501	Valve 1/2 Angle.....	1
50	00-856192-00001	Strainer, Perforated, 20-gallon.....	1
	00-856186-00001	Strainer, Perforated, 40-gallon.....	1
	00-856195-00001	Strainer, Perforated, 60-gallon.....	1

NOTES

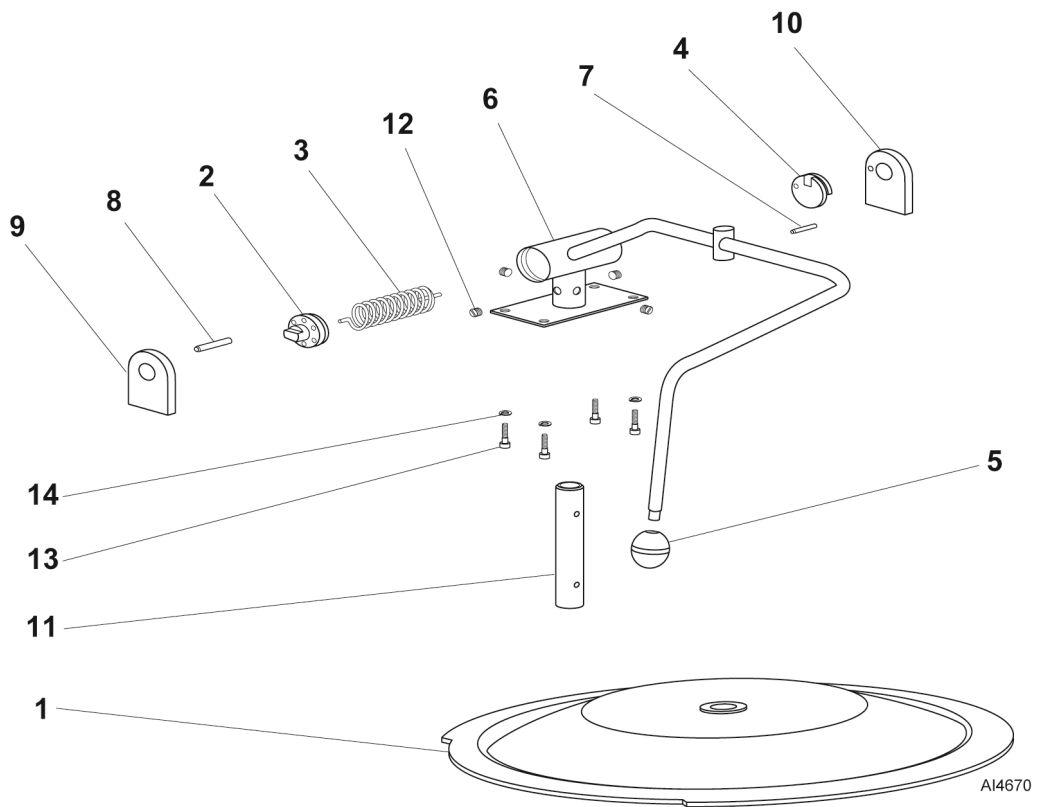


AI4669

K20ELT, K40ELT, AND K60ELT CONTROL PANEL

K20ELT, K40ELT, AND K60ELT CONTROL PANEL

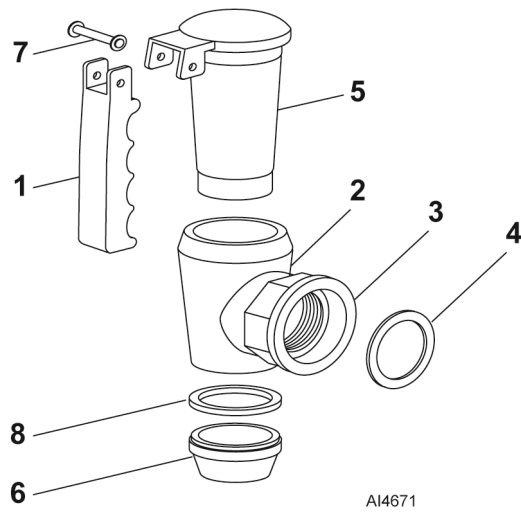
ILLUS.	PART NO.	NAME OF PART	AMT.
PL-AI4669			
54	00-854647-00001	Knob - Control.....	1
55	00-855797-00005	Switch Assy. (Power with Indicator Lights).....	1
56	SC-066-06	Mach. Screw 10-24 x 1/2 Phil. Truss Hd. (SST).....	1
57	00-856218-00001	NLA - Obsolete--Flap - Tilt Handle Opening.....	1
58	00-856519-00001	Overlay, KxxELT.....	1
59	00-857389-00001	Potentiometer 24MM.....	1
60	00-857141-00001	Panel, Electrical.....	1
61	NS-015-01	Nut 1/4-20 Hex (SST).....	2
62	00-294500-00033	Transformer.....	1
63	00-855028-00001	Block - Fuse.....	1
64	00-854700-00001	Fuse - Class CC 3 Amp Time Delay.....	AR
65	00-840115	Contactora (25 Amp.) Block.....	2
66	SC-120-23	Mach. Screw 10-24 x 3/8 Hex Hd. Ground.....	1
67	00-118544-00002	Lug - Grounding.....	1
68	00-855902-00001	Bracket - Faucet Mounting.....	1
69	SC-041-50	Cap Screw 1/4-20 x 1/2 Hex Hd. (SST).....	1
70	00-844070-00001	Control - Low Water.....	1
71	00-857112-00001	Controller - Temperature.....	1
72	00-410472-00008	Block - Terminal (3-Pole).....	1
73	00-857143-00001	Assembly, Power Box Lid.....	1
74	SD-019-29	Self-Tapping Screw 6-20 x 1/2 Phil. Pan Hd., Type B.....	11
75	00-856380-00001	Seal, Shaft.....	1
76	00-854766-00001	Speed Nut, J Type-1024.....	11
		AR



OPTIONAL SPRING ASSIST COVER

OPTIONAL SPRING ASSIST COVER

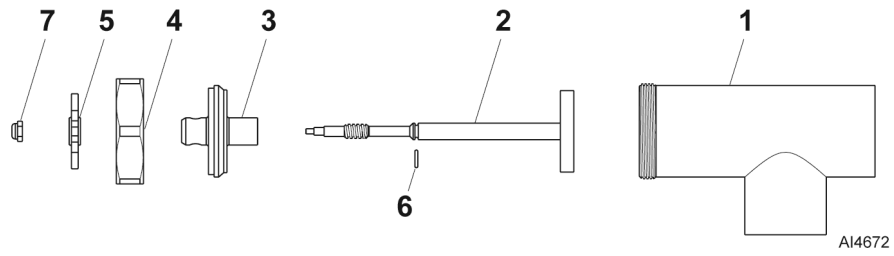
ILLUS.	PART NO.	NAME OF PART	AMT.
PL-AI4670			
1	00-856490-00005	Lid Assy. 20 Gal (with Condensate Ring).....	1
	00-856495-00004	Lid Assy. 40 Gal (with Condensate Ring).....	1
	00-856500-00002	Lid Assy. 60 Gal (with Condensate Ring).....	1
2	00-853292-00001	Disc - Tension Adjustment.....	1
3	00-853289-00001	Spring - Torsion.....	1
4	00-853293-00001	Disc - Rotary Stop.....	1
5	00-853285-00001	Knob - Press On.....	1
6	00-856511-00001	Weldment, Handle, 40 Gal, Tilt.....	1
	00-856514-00001	Weldment, Handle, 60 Gal, Tilt.....	1
7	RP-004-31	Roll Pin 1/4 x 1.....	1
8	00-853284-00001	Pin - Lock.....	1
9	00-853286-00001	Plate - Front.....	1
10	00-855220-00002	Plate - Rear Weldment.....	1
11	00-856311-00002	Mast, Support Lid, 8.125" long, K20ELT.....	1
	00-856311-00003	Mast, Support Lid, 10.750" long, K40ELT.....	1
	00-856311-00006	Mast, Support Lid, 12.625" long, K60ELT.....	1
12	SC-047-12	Set Screw 1/4-20 x 3/8 Socket Hdls., Knife Cup Pt.....	4
13	SC-110-98	Cap Screw 1/4-20 x 3/4 Hex Socket Hd. (SST).....	4
14	WL-006-07	Lockwasher #10 Helical (SST).....	4



2" DRAW-OFF VALVE

2" DRAW-OFF VALVE

ILLUS.	PART NO.	NAME OF PART	AMT.
PL-AI4671			
1	00-857547-00006	Handle - Athermic.....	1
2	00-857547-00002	Valve Body (Draw-Off).....	1
3	00-857547-00003	Coupling - Valve (Draw-Off).....	1
4	00-817170	Draw-Off Valve Coupling Gasket.....	1
5	00-857547-00004	Plug - Valve (Draw-Off).....	1
6	00-857547-00008	Ring - Metal.....	1
7	00-857547-00007	Pin - Retaining.....	1
8	00-857547-00005	Washer.....	1



3" COMPRESSION VALVE

3" COMPRESSION VALVE

ILLUS.	PART NO.	NAME OF PART	AMT.
PL-AI4672			
1	00-359996-00001	Valve Body, 3".....	1
2	00-359996-00002	Disc and Stem Assembly.....	1
3	00-359996-00003	Bonnet.....	1
4	00-359996-00004	Hex Nut.....	1
5	00-359996-00005	Handle.....	1
6	00-359996-00006	O-ring.....	1
7	00-359996-00007	Nut - Acorn.....	1

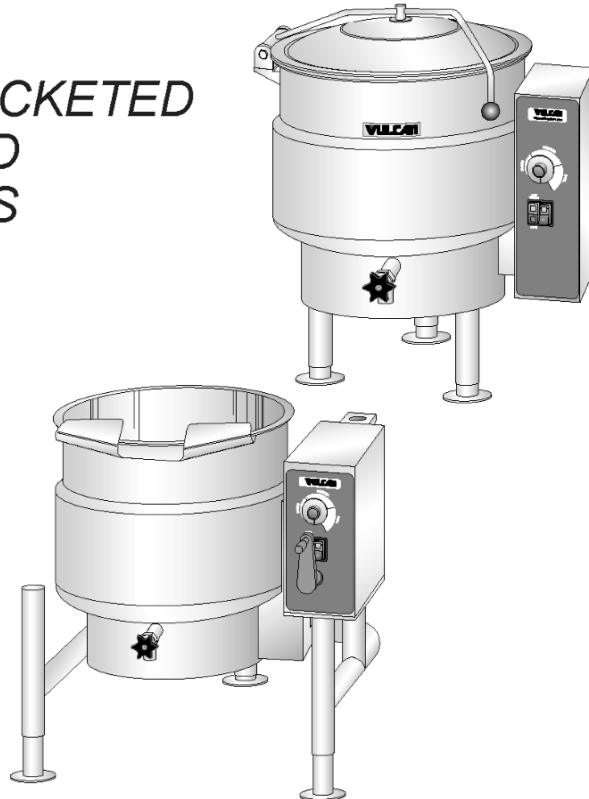
VULCAN

CATALOG OF REPLACEMENT PARTS

ELECTRIC 2/3 JACKETED STATIONARY AND TILTING KETTLES

MODELS

K20EL	ML-136073
K20ELT	ML-136077
K40EL	ML-136074
K40ELT	ML-136078
K60EL	ML-136075
K60ELT	ML-136079



For additional information on Vulcan-Hart or to locate an authorized parts and service provider in your area, visit our website at www.vulcanequipment.com.

VULCAN-HART
DIVISION OF ITW FOOD EQUIPMENT GROUP, LLC
WWW.VULCANEQUIPMENT.COM

3600 NORTH POINT BLVD.
BALTIMORE, MD 21222
Form 35458

F35458 COVER PAGE

F35458 COVER PAGE

ILLUS.	PART NO.	NAME OF PART	AMT.
	PL-F35458 COVER PAGE		
		ML-136073.....	AR
		ML-136074.....	AR
		ML-136075.....	AR
		ML-136077.....	AR
		ML-136078.....	AR
		ML-136079.....	AR

