

VULCAN

CATALOG OF REPLACEMENT PARTS

ER SERIES FRYER

MODEL **ML NUMBER**

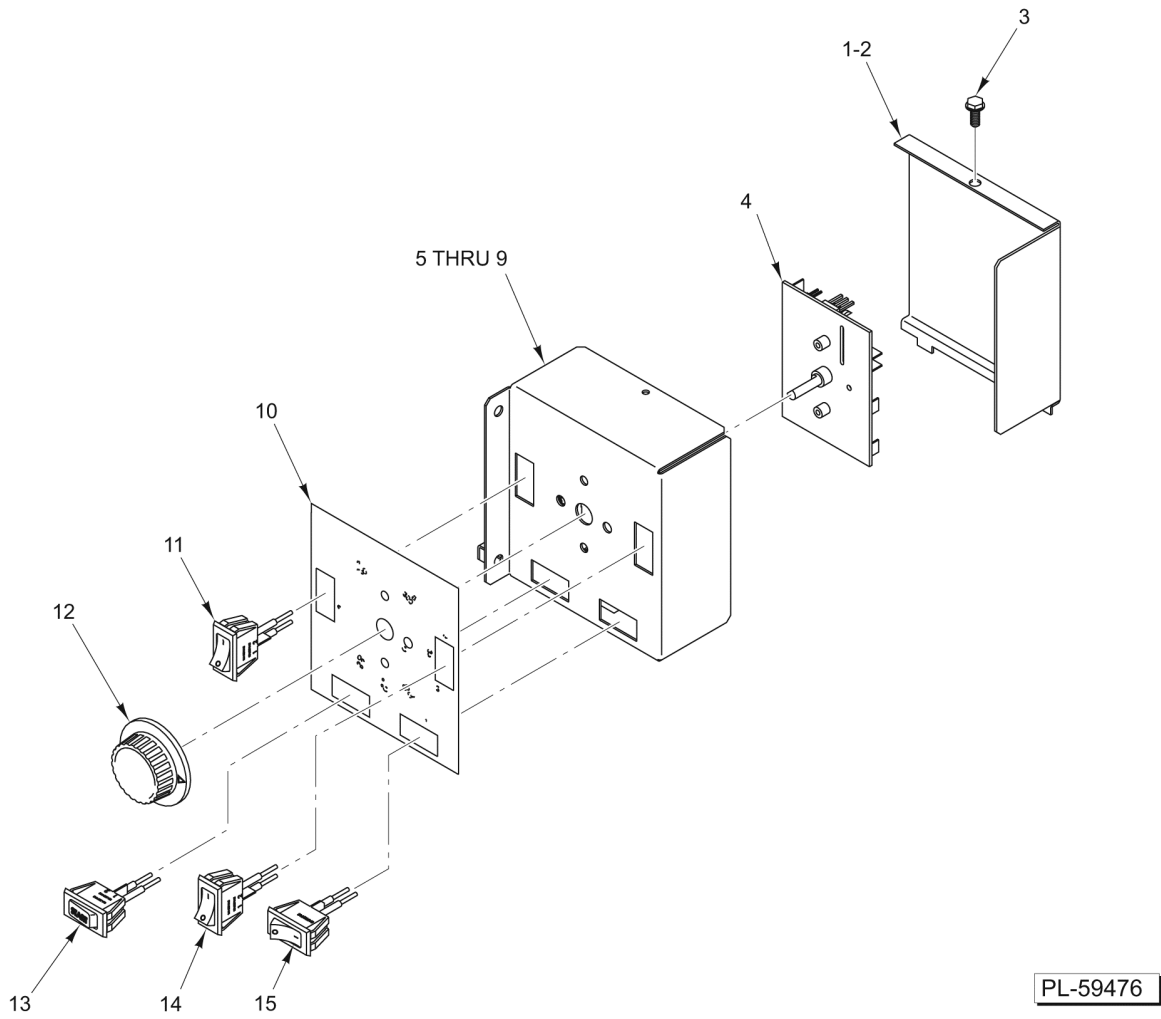
1ER50A	ML-136730
1ER50C	ML-136498
1ER50D	ML-136496
1ER85A	ML-136740
1ER85C	ML-136499
1ER85D	ML-136497
1ER50AF	ML-136799
2ER50AF	ML-136741
3ER50AF	ML-136743
4ER50AF	ML-136745
1ER50CF	ML-136798
2ER50CF	ML-136598
3ER50CF	ML-136608
4ER50CF	ML-136615
1ER50DF	ML-136797
2ER50DF	ML-136596
3ER50DF	ML-136606
4ER50DF	ML-136614
1ER85AF	ML-136802
2ER85AF	ML-136742
1ER85CF	ML-136801
2ER85CF	ML-136599
1ER85DF	ML-136800
2ER85DF	ML-136597



For additional information on Vulcan-Hart Company or to locate an authorized parts and service provider in your area, visit our website at www.vulcanequipment.com

Table of Contents

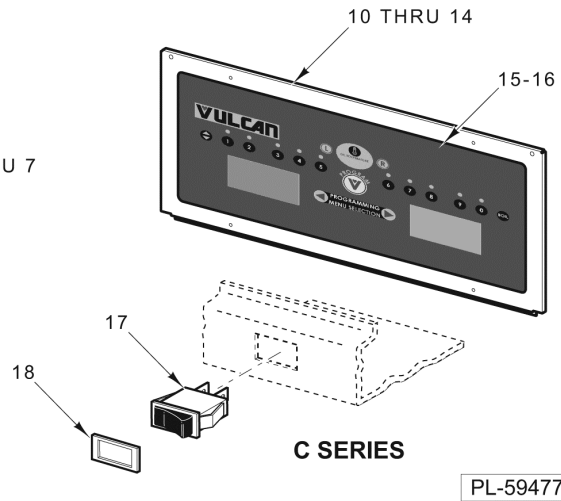
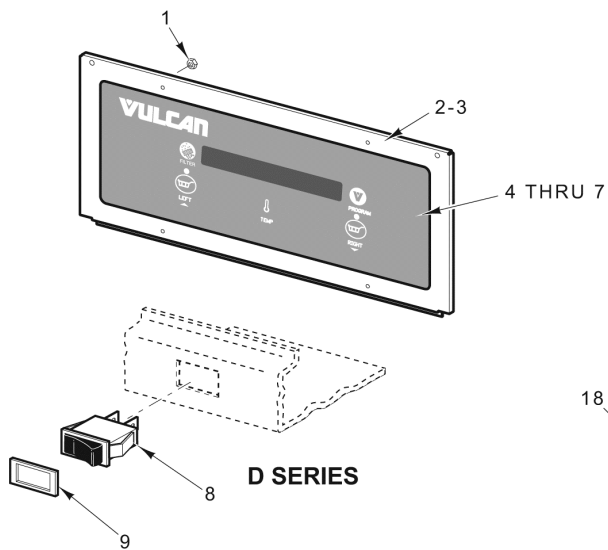
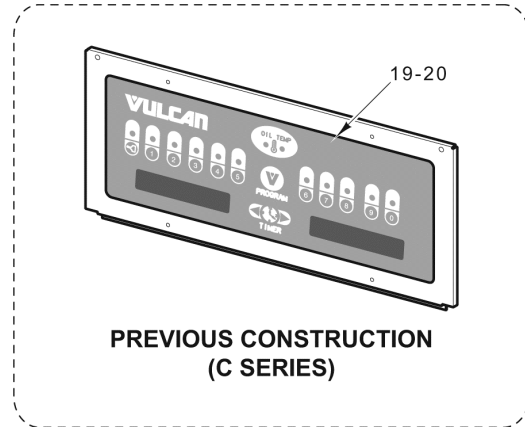
5	CONTROL BOX ASSEMBLY (BEHIND DOOR)
7	CONTROL PANEL (NCC)
9	POWER SUPPLY BOX
13	BODY UNIT (WITHOUT FILTER)
15	BODY UNIT (WITH FILTER)
17	TANK AND DRAIN
19	HEATING ELEMENT ASSEMBLY
21	OIL RETURN (STAND ALONE WITH FILTER)
23	OIL RETURN (BATTERY WITH FILTER)
25	FILTER ASSEMBLY (STAND ALONE WITH FILTER)
27	FILTER ASSEMBLY (BATTERY WITH FILTER)



**CONTROL BOX ASSEMBLY
(BEHIND DOOR)**

**CONTROL BOX ASSEMBLY
(BEHIND DOOR)**

ILLUS. PL-59476	PART NO.	NAME OF PART	AMT.
1	00-957822-00002	Cover - Control Box (LH).....	1
2	00-957822-00003	Cover - Control Box (RH).....	1
3	SD-032-07	Self-Tapping Screw 10-24 x 1/2 Hex Washer Hd., Type TT.....	1
4	00-956926-000G2	Control Assy. - Behind Door No Led.....	1
	00-956926-000G4	Control Assy. - Behind Door With Led.....	AR
5	00-416535-00006	Relay - Heating (120 V.).....	1
6	00-416535-00007	Relay - Heating (200-240 V.).....	1
7	00-416535-00004	Switch - Relay S.P.D.T. 24 V. Coil (Electronic Ignition).....	1
8	00-499716-00003	Plate - Control Mounting (LH).....	1
9	00-499716-00004	Plate - Control Mounting (RH).....	1
10	00-956827-00002	Overlay.....	1
11	00-427755-000G1	Rocker Switch Assy. S.P.S.T. (ON/OFF).....	1
12	00-411242-00001	Knob.....	1
13	00-427755-000G2	Rocker Switch Assy. (Start).....	1
14	00-427755-000G1	Rocker Switch Assy. S.P.S.T.....	1
15	00-427755-000G1	Rocker Switch Assy. S.P.S.T. (FILTER) (AF Series).....	1
	00-428906-00001	Overlay - Power.....	1

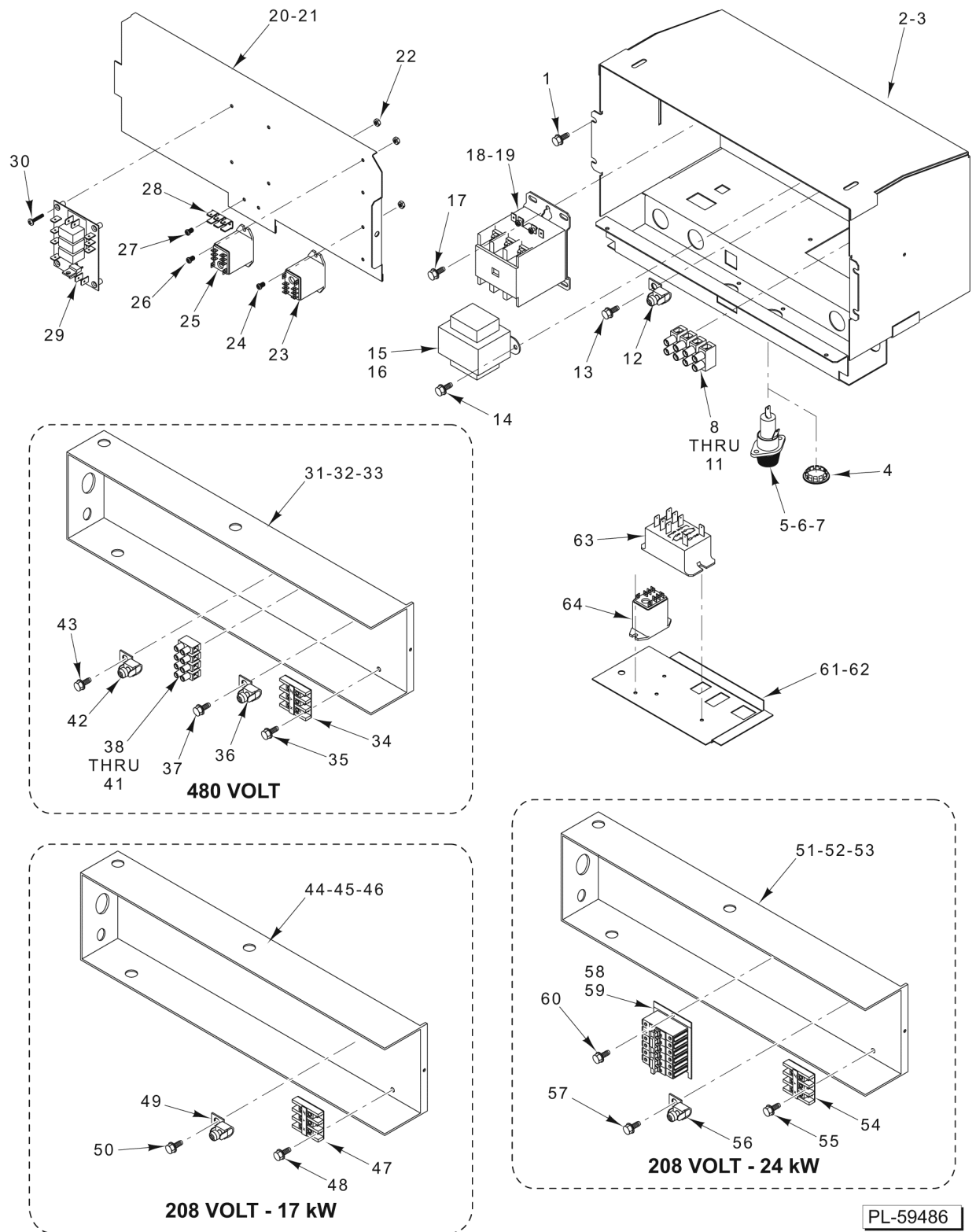


PL-59477

CONTROL PANEL (NCC)

CONTROL PANEL (NCC)

ILLUS.	PART NO.	NAME OF PART	AMT.
PL-59477			
1	NS-046-89	Nut Assy. 6-32 Hex.....	4
2	00-426815-000G1	Plate Assy. - Mounting (50 Series).....	1
3	00-426815-000G2	Plate Assy. - Mounting (85 Series).....	1
4	00-497745-00003	Overlay - Vulcan (Boil) (Button).....	1
5	00-497745-00001	Overlay - Vulcan (Filter) (Button).....	1
6	00-913086-00003	Control Assy. - Solid State (Boil Button) (Incls. Item 4).....	1
7	00-913086-00004	Control Assy. - Solid State (Filter Button) (Incls. Item 5).....	1
8	00-427755-000G1	Rocker Switch Assy. Power.....	1
9	00-428906-00001	Overlay - Power.....	1
10	00-913086-00002	Computer Cooking Assy. (Filter Button) (Incls. 15).....	1
11	00-913086-00001	Computer Cooking Assy. (Boil Button) (Incls. 16).....	1
12	00-426815-000G1	Plate Assy. - Mounting (50 Series).....	1
13	00-426815-000G2	Plate Assy. - Mounting (85 Series).....	1
14	NS-046-89	Nut Assy. 6-32 Hex.....	4
15	00-958620-00001	Overlay - Vulcan (Filter Button) Control Panel.....	1
16	00-958620-00002	Overlay - Vulcan (Boil Button) Control Panel.....	1
17	00-427755-000G1	Rocker Switch Assy.....	1
18	00-428906-00001	Overlay - Power.....	1
19	00-426732-00001	Overlay - Control Panel (Filter Button).....	1
20	00-497422-00001	Overlay - Control Panel (Boil).....	1



POWER SUPPLY BOX

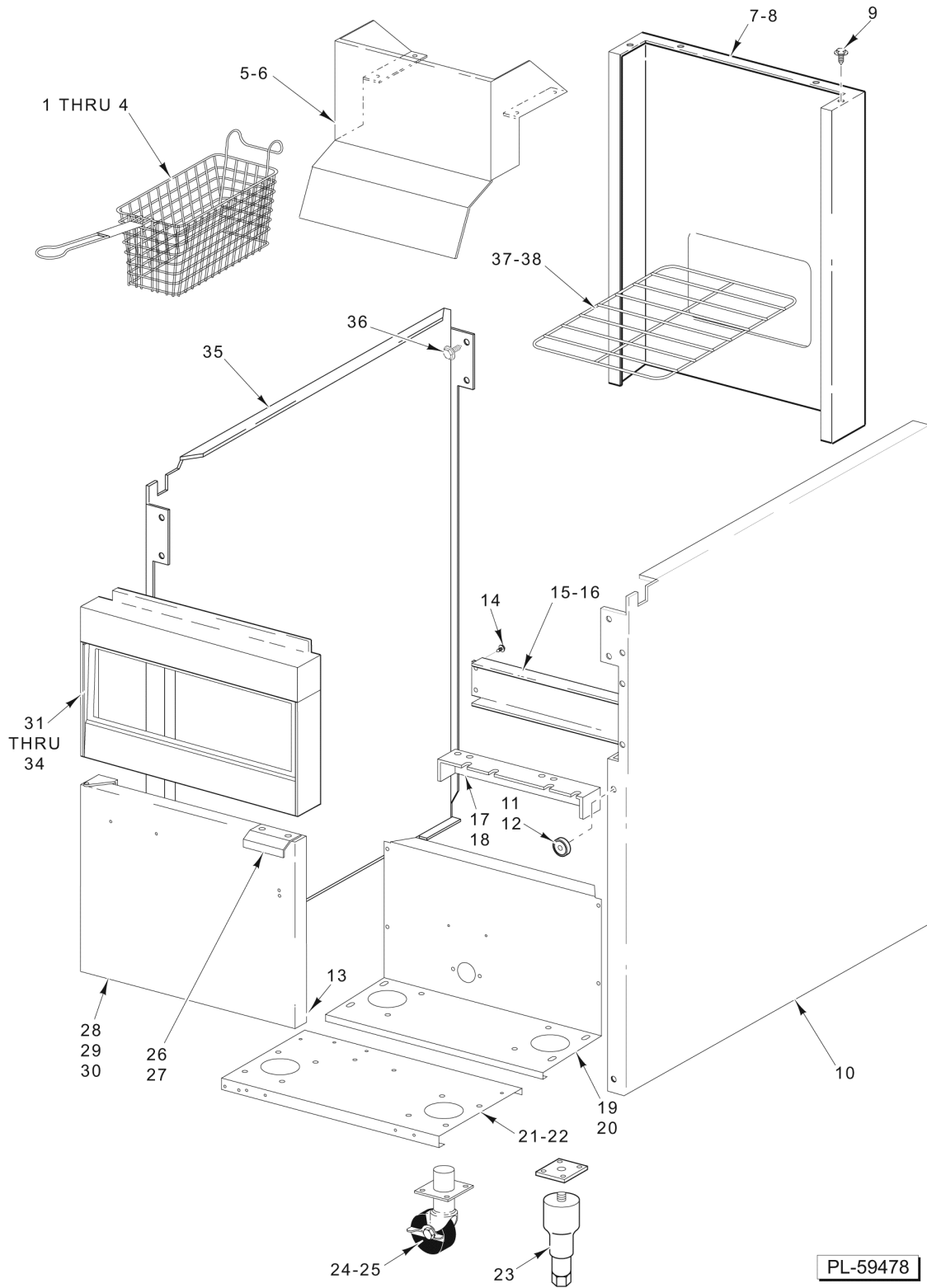
POWER SUPPLY BOX

ILLUS.	PART NO.	NAME OF PART	AMT.
PL-59486			
1	SD-036-80	Self-Tapping Screw 8-32 x 3/8 Hex Washer Hd., Type TT.....	4
2	00-497095-00002	Box - Power Supply (85 Series).....	1
3	00-497095-00001	Box - Power Supply (50 Series).....	1
4	PB-002-26	Plug - Button (Slave Power Box).....	2
5	SD-036-80	Self-Tapping Screw 8-32 x 3/8 Hex Washer Hd., Type TT.....	4
6	FE-019-40	Fuse (15 Amp., 300 V.).....	2
7	FE-023-55	Holder - Fuse (15 Amp., 300 V.).....	2
8	00-414208-00002	Barrier - Terminal.....	1
9	NS-009-07	Nut 6-32 Hex.....	2
10	SC-119-90	Mach. Screw 6-32 x 1 Slotted Pan Hd.....	2
11	WL-004-40	Lockwasher #10 Helical.....	2
12	00-417856-00001	Lug - Grounding (With Set Screw).....	1
13	SD-032-07	Self-Tapping Screw 10-24 x 1/2 Hex Washer Hd., Type TT.....	1
14	SD-032-07	Self-Tapping Screw 10-24 x 1/2 Hex Washer Hd., Type TT.....	2
15	00-411500-00012	Transformer (120 VAC, 28 V., 40 VA).....	1
16	00-411500-00013	Transformer (200-240 VAC, 28 V., 20 VA).....	1
17	SD-037-96	Self-Tapping Screw 8-18 x 3/4 Hex Hd., Type AB.....	8
18	00-411497-000C7	Contact (3-Pole) (50 Amp., 230 V.).....	AR
19	00-411497-000C6	Contact (3-Pole) (50 Amp., 120 V.).....	AR
20	00-497096-00001	Plate - Temperature Board (1HF50C/D) Plate - Temperature Board (50 Series).....	1
21	00-497096-00002	Plate - Temperature Board (85 Series).....	1
22	NS-047-32	Lock Nut 4-40.....	AR
23	00-416535-00007	Switch - Relay (240 V.).....	1
24	SC-060-23	Mach. Screw 4-40 x 1/4 Slotted Rd. Hd.....	AR
25	00-416535-00004	Switch - Relay S.P.D.T. 24 V. Coil (Electronic Ignition).....	1
26	SC-060-23	Mach. Screw 4-40 x 1/4 Slotted Rd. Hd.....	AR
27	SC-060-23	Mach. Screw 4-40 x 1/4 Slotted Rd. Hd.....	AR
28	00-419317	Terminal - Stationary.....	1
29	00-427759-00001	Control - Interface.....	1
30	SD-024-40	Self-Tapping Screw 6-32 x 5/8 Phil. Pan Hd., Type TT.....	4
31	00-497266-000G4	Box - Power Supply (480 V.) (Incls. Items 32, 33, 34, 36, & 38).....	1
32	00-428270-00003	Box - Breaker.....	1
33	00-428271-00005	Lid - Breaker Box Small.....	1
34	00-410472-00008	Block - Terminal (3-Pole).....	1
35	SD-036-96	Self-Tapping Screw 8-18 x 3/4 Hex Hd., Type AB.....	1
36	00-417856-00001	Lug - Grounding (With Set Screw).....	1
37	SD-036-96	Self-Tapping Screw 8-18 x 3/4 Hex Hd., Type AB.....	1
38	00-414208-00002	Barrier - Terminal.....	1
39	NS-009-07	Nut 6-32 Hex.....	2
40	SC-119-90	Mach. Screw 6-32 x 1 Slotted Pan Hd.....	2
41	WL-004-40	Lockwasher #10 Helical.....	2
42	00-417856-00001	Lug - Grounding (With Set Screw).....	1
43	SD-036-96	Self-Tapping Screw 8-18 x 3/4 Hex Hd., Type AB.....	1
44	00-497266-000G1	Box - Power Supply (208 V., 17 kW) (50 Series) (Incls. Items 45, 46, 47, & 49).....	1
45	00-428270-00003	Box - Breaker.....	1
46	00-428271-00005	Lid - Breaker Box Small.....	1
47	00-410472-00008	Block - Terminal (3-Pole).....	1
48	SD-036-96	Self-Tapping Screw 8-18 x 3/4 Hex Hd., Type AB.....	2
49	00-417856-00001	Lug - Grounding (With Set Screw).....	1
50	SD-036-96	Self-Tapping Screw 8-18 x 3/4 Hex Hd., Type AB.....	1
51	00-497266-000G2	Box - Power Supply (208 V.) (24 kW)(85 Series) (Incls. Items 52, 53, 54, 56, 58, & 59).....	1
52	00-428270-00002	Box - Breaker.....	1
53	00-428271-00004	Lid Breaker Box With Breakers.....	1
54	00-410472-00008	Block - Terminal (3-Pole).....	1
55	SD-036-96	Self-Tapping Screw 8-18 x 3/4 Hex Hd., Type AB.....	2

POWER SUPPLY BOX

ILLUS.	PART NO.	NAME OF PART	AMT.
PL-59486			
56	00-417856-00001	Lug - Grounding (With Set Screw).....	1
57	SD-036-96	Self-Tapping Screw 8-18 x 3/4 Hex Hd., Type AB.....	1
58	00-497265-00001	Breaker (3-Pole) (ER85 208 V.).....	2
59	00-497361-00002	Bracket - Breaker (ER85 208 V.).....	1
60	SD-036-96	Self-Tapping Screw 8-18 x 3/4 Hex Hd., Type AB.....	2
61	00-499219-000G1	Plate - Control Mounting (Incls. Items 61 thru 64).....	1
62	00-499219-00001	Plate - Control Mount.....	1
63	00-428864-00001	Relay (Filter).....	1
64	00-416535-00004	Switch - Relay S.P.D.T. 24 V. Coil (Electronic Ignition).....	1

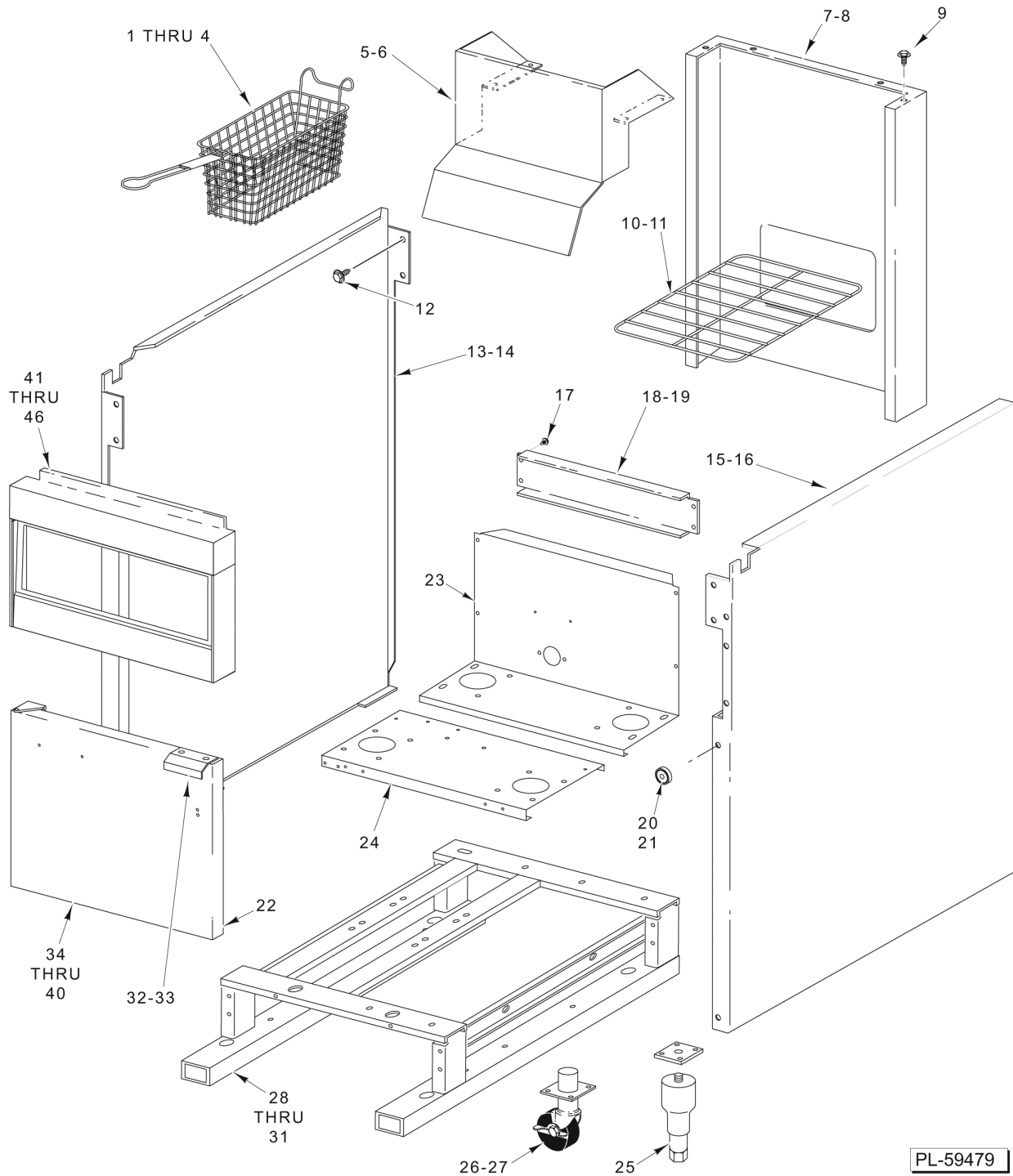
NOTES



**BODY UNIT
(WITHOUT FILTER)**

**BODY UNIT
(WITHOUT FILTER)**

ILLUS. PL-59478	PART NO.	NAME OF PART	AMT.
1	00-499223-00001	Basket - Twin (50 Series).....	AR
2	00-499223-00004	Basket - Twin (85 Series).....	AR
3	00-499223-00011	Basket - Single (85 Series).....	AR
4	00-499223-00009	Basket Single (50 Series).....	AR
5	00-421912-000G1	Hanger - Single Basket (85 Series).....	1
6	00-421911-000G1	Hanger - Basket (50 Series).....	1
7	00-422020-000G4	NLA - Obsolete--Flue Wrap (SST) (85 Series).....	1
8	00-422021-00002	Flue Wrap (SST) (50 Series).....	1
9	SD-036-96	Self-Tapping Screw 8-18 x 3/4 Hex Hd., Type AB.....	2
10	00-420596-00004	Body - Side (SST) (RH).....	1
11	RS-033-04	Rivet - Pop.....	1
12	00-497296-000G2	Magnet Assy.....	1
13	00-420769-00001	Bumper - Rubber.....	1
14	SD-032-07	Self-Tapping Screw 10-24 x 1/2 Hex Washer Hd., Type TT.....	10
15	00-417014-00001	Bracket - Rear Support (50 Series).....	1
16	00-418320-00001	Bracket - Rear Support (85 Series).....	1
17	00-427825-00001	Bracket - Power Supply - Rear.....	1
18	00-427824-00001	Bracket - Power Supply - Front.....	1
19	00-416950-00001	Body - Bottom (Rear) (50 Series).....	1
20	00-419652	Body - Bottom (Rear) (85 Series).....	1
21	00-427886-00001	Body - Bottom (Front) (50 Series).....	1
22	00-428152-00001	Body - Bottom (Front) (85 Series).....	1
23	00-413112-00012	Leg (6 In.) (SST).....	4
24	00-421893-00001	Mount Plate - Caster.....	2
25	00-421893-00002	Caster 4 In. (No Brake).....	2
26	00-419653	Handle.....	1
27	RS-033-02	Rivet - Pop.....	2
28	00-428023-000G2	Hinge Assy. - Door LH.....	1
29	00-499487-000G1	Door Assy. (LH) (SST) (50 Series).....	1
30	00-499487-000G5	Door Assy. (LH) (SST) (85 Series).....	1
31	00-426806-000G1	Frame - Front Assy. (50 Series).....	1
32	00-426806-000G4	Frame - Front Assy. (85 Series).....	1
33	00-426814-00004	Plate - Control (1ER50A).....	1
34	00-426814-00005	Plate - Control (1ER85A).....	1
35	00-420596-00003	Body - Side (SST) (LH).....	1
36	SD-036-03	Self-Tapping Screw 8-18 x 3/8 Hex Washer Hd., Type AB.....	8
37	00-427883-00002	Screen - Basket Support (50 Series).....	1
38	00-427883-00004	Screen - Basket Support (85 Series).....	1
	00-426610-00001	Gusset - Body RH.....	1
	00-426610-00002	Gusset - Body LH.....	1
	00-419592-00001	Clip - Thermistor Probe.....	1
	00-422737-00002	Probe - Thermistor (50 Series).....	1
	00-422737-00001	Probe - Thermistor (85 Series).....	1

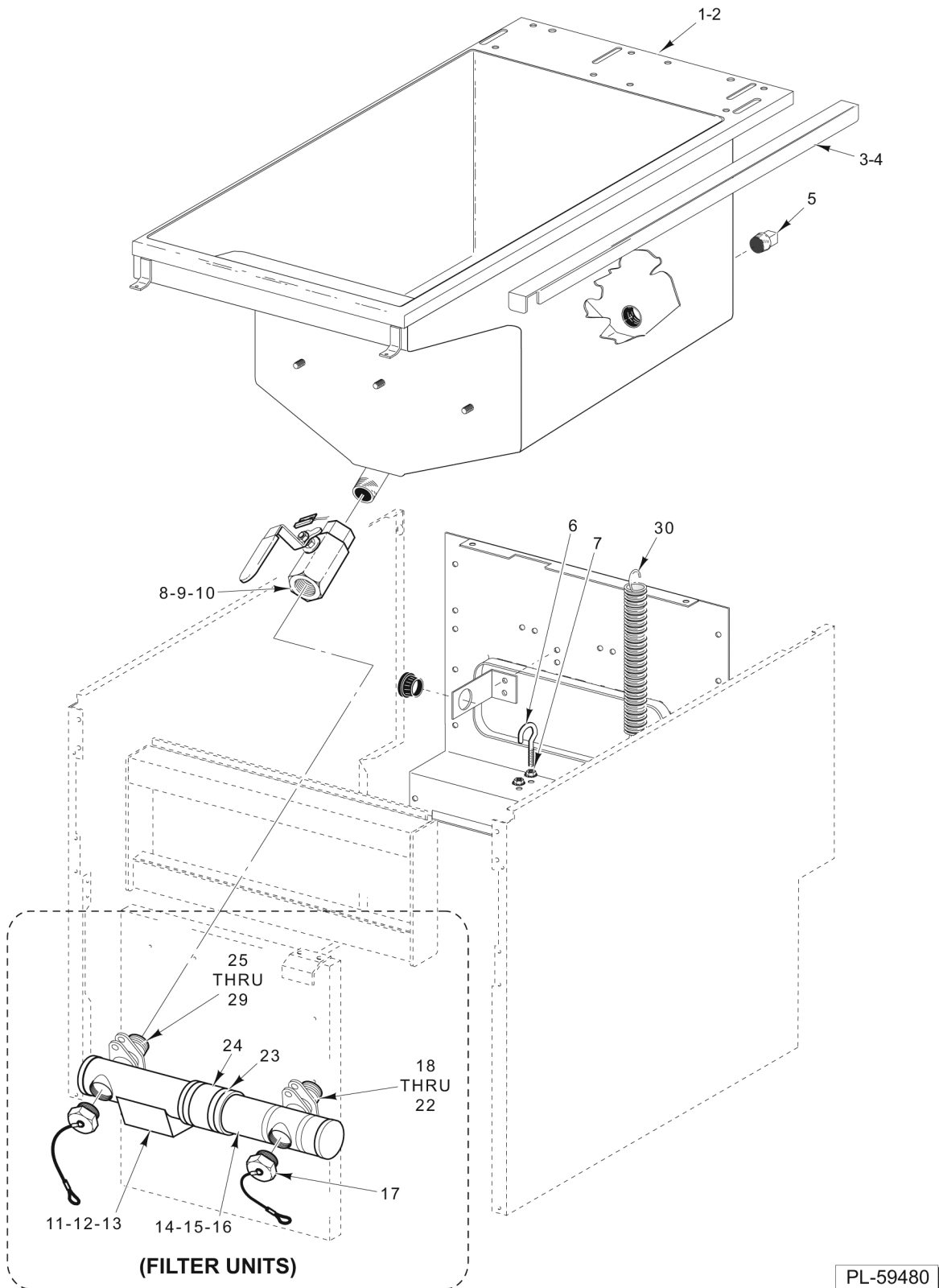


PL-59479

**BODY UNIT
(WITH FILTER)**

BODY UNIT (WITH FILTER)

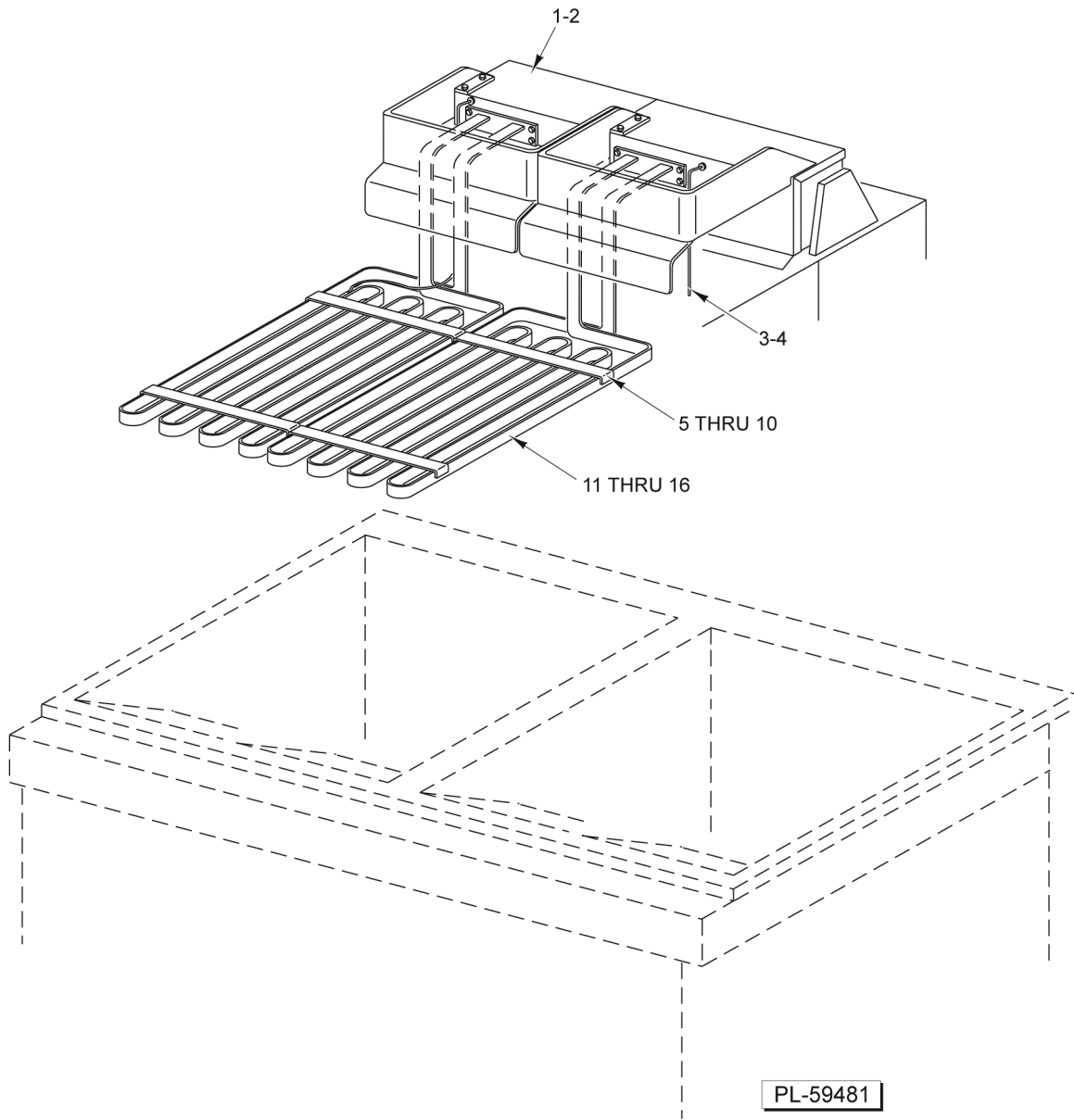
ILLUS. PL-59479	PART NO.	NAME OF PART	AMT.
1	00-499223-00001	Basket - Twin (50 Series).....	AR
2	00-499223-00004	Basket - Twin (85 Series).....	AR
3	00-499223-00011	Basket - Single (85 Series).....	AR
4	00-499223-00009	Basket - Single (50 Series).....	AR
5	00-421912-000G1	Hanger - Single Basket (85 Series).....	1
6	00-421911-000G1	Hanger - Basket (50 Series).....	1
7	00-422020-000G4	NLA - Obsolete--Flue Wrap (SST) (85 Series).....	1
8	00-422021-00002	Flue Wrap (SST) (50 Series).....	1
9	SD-036-96	Self-Tapping Screw 8-18 x 3/4 Hex Hd., Type AB.....	2
10	00-427883-00002	Screen - Basket Support (50 Series).....	1
11	00-427883-00004	Screen - Basket Support (85 Series).....	1
12	SD-036-03	Self-Tapping Screw 8-18 x 3/8 Hex Washer Hd., Type AB.....	8
13	00-420596-00003	Body - Side (SST) (LH) (3ER50 & 4ER50 Series).....	1
14	00-419777-00003	Body - LH Side (SST) (85 Series, 1ER50, & 2ER50 Series).....	1
15	00-420596-00004	Body - Side (SST) (RH) (4ER50 Series).....	1
16	00-419777-00004	Body - RH Side (SST) (85 Series, 1ER50, 2ER50, & 3ER50 Series).....	1
17	SD-032-07	Self-Tapping Screw 10-24 x 1/2 Hex Washer Hd., Type TT.....	10
18	00-417014-00001	Bracket - Rear Support (50 Series).....	1
19	00-418320-00001	Bracket - Rear Support (85 Series).....	1
20	RS-033-04	Rivet - Pop.....	1
21	00-497296-000G1	Magnet Assy.....	1
22	00-420769-00001	Bumper - Rubber.....	1
23	00-416950-00001	Body - Bottom (Rear) (3ER50 & 4ER50 Series).....	1
24	00-427886-00001	Body - Bottom (Front) (3ER50 & 4ER50 Series).....	1
25	00-413112-00007	Leg (6-1/4 In.) (SST).....	4
26	00-418907-00001	Caster - Swivel Assy. (Adjustable) (With Brake).....	2
27	00-418907-00003	Caster (Without Brake).....	2
28	00-427275-000G1	Body - Bottom Frame (2ER50, 3ER50, & 4ER50 Series).....	1
29	00-427373-000G1	Body - Bottom Frame (2ER85 Series).....	1
30	00-956906-000G2	Body - Bottom Frame (50 Series).....	1
31	00-956906-000G4	Body - Bottom Frame (85 Series).....	1
32	00-419653	Handle.....	1
33	RS-033-02	Rivet - Pop.....	2
34	00-499487-000G1	Door Assy. (LH) (SST) (3ER50 & 4ER50 Series).....	1
35	00-499487-000G2	Door Assy. (RH) (RH) (SST) (4ER50 Series).....	1
36	00-499487-000G3	Door Assy. (LH) (With Hinge) (SST) (50 Series).....	1
37	00-499487-000G4	Door Assy. (RH) (With Hinge) (SST) (2ER50, 3ER50, & 4ER50 Series).....	1
38	00-499487-000G7	Door Assy. (LH) (With Hinge) (SST) (85 Series).....	1
39	00-499487-000G8	Door Assy. (RH) (With Hinge) (SST) (2ER85 Series).....	1
40	00-428023-000G2	Hinge Assy. - Door LH (3ER50 & 4ER50 Series).....	1
41	00-426806-000G1	Frame - Front Assy. (1ER50 Series).....	1
42	00-426806-000G2	Frame - Front Assy. (2ER50 Series).....	1
43	00-426806-000G3	NLA - Obsolete--Frame - Front Assy. (3ER50 Series).....	1
44	00-426806-000G4	Frame - Front Assy. (1ER85 Series).....	1
45	00-426806-000G5	Frame - Front Assy. (2ER85 Series).....	1
46	00-426806-000G7	Frame - Front Assy. (4ER50 Series).....	1
	00-419592-00001	Clip - Thermistor Probe.....	1
	00-422737-00002	Probe - Thermistor (50 Series).....	1
	00-422737-00001	Probe - Thermistor (85 Series).....	1



TANK AND DRAIN

TANK AND DRAIN

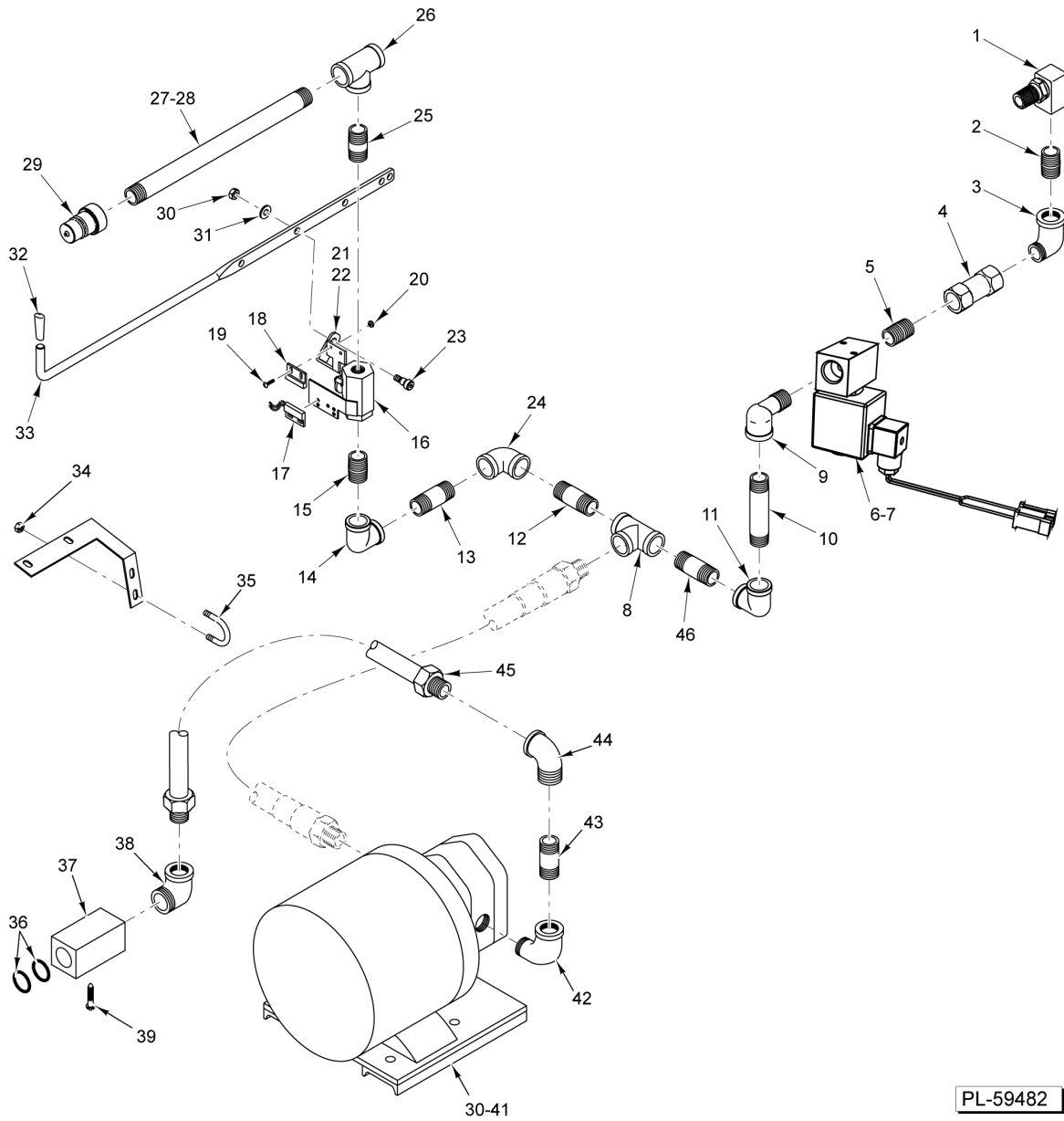
ILLUS. PL-59480	PART NO.	NAME OF PART	AMT.
1	00-421844-000G3	Tank Assy. (50 Series).....	1
2	00-421842-000G3	Tank Assy. (85 Series).....	1
3	00-410863-00002	Channel - Grease (50 Series).....	1
4	00-410863-00007	Channel - Grease (85 Series).....	1
5	FP-028-14	Pipe - Plug 1/2 Sq. Hd.....	AR
6	00-402570-00003	Eye Bolt.....	AR
7	NS-047-69	Lock Nut 6-32 Hex.....	AR
8	00-426803-000G8	Valve Assy. (Incls. Items 9 & 10).....	1
9	00-426805-000G1	Switch Assy.....	1
10	00-426801-00002	Magnet - Switch Element Head.....	1
11	00-497567-000G4	Pipe - Drain With Spout (2ER85 Series).....	1
12	00-497567-000G3	Pipe - Drain With Spout (2ER50 Series).....	1
13	00-497569-000G3	Pipe - Drain (Center) With Spout (3ER50 Series & 4ER50 Series).....	1
14	00-497566-000G1	Pipe - Drain (End) (50 Series).....	1
15	00-497566-000G4	Pipe - Drain (End) (85 Series).....	1
16	00-497568-000G1	Pipe - Drain (Center) (4ER50 Series).....	1
17	00-497571-000G1	Plug - Drain.....	2
18	00-420726-00001	Flange - Pipe (1 1/4 In.).....	1
19	00-420553-00002	Gasket - Silicone.....	1
20	FP-036-32	Pipe 1 1/4 x 2 TBE.....	1
21	FP-036-33	Pipe 1 1/4 x 2 1/2 TBE.....	1
22	SC-036-13	Cap Screw 1/4-20 x 3/4 Hex Hd.....	2
23	00-497409-00001	Clamp - Drain Tube.....	AR
24	00-419351-00001	Hose - Connect.....	AR
25	00-420553-00002	Gasket - Silicone.....	1
26	00-420726-00001	Flange - Pipe (1 1/4 In.).....	1
27	FP-036-32	Pipe 1 1/4 x 2 TBE.....	1
28	FP-036-33	Pipe 1 1/4 x 2 1/2 TBE.....	1
29	SC-036-13	Cap Screw 1/4-20 x 3/4 Hex Hd.....	2
30	00-406363-00001	Spring - Door (Long).....	AR
	00-420588-00004	Bracket - Upright.....	1
	00-422376-00001	Brace - Spring Retainer (50 Series).....	1
	00-422377-00001	Brace - Spring Retainer (85 Series).....	1
	00-956636-00001	Bracket - Bulb Locator.....	1
	00-497572-000G2	Pipe - Boil Out Bypass.....	1
	00-418364-000G4	NLA - Obsolete--Drain Assy. (1 1/4 In.) (Without Filter).....	1



HEATING ELEMENT ASSEMBLY

HEATING ELEMENT ASSEMBLY

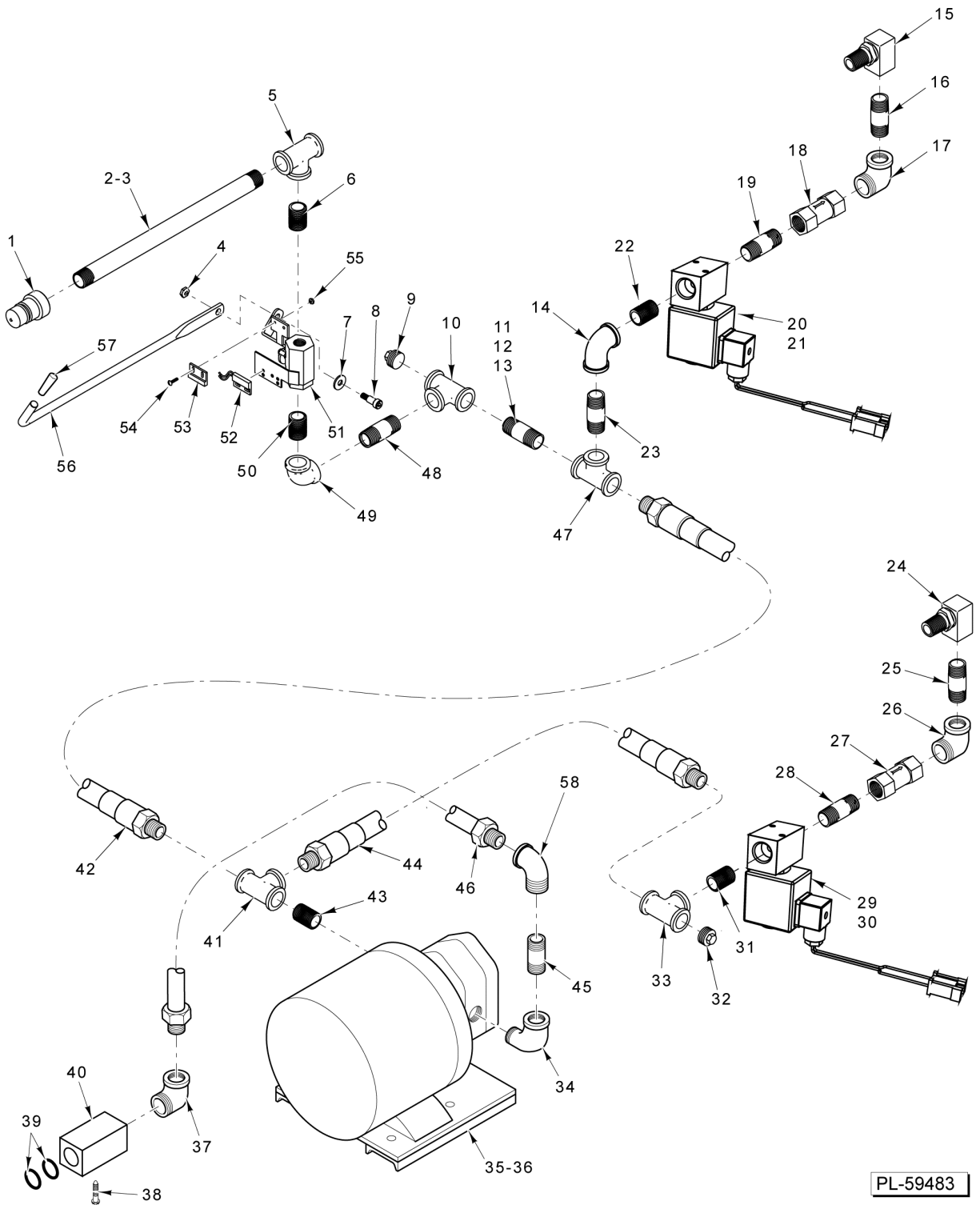
ILLUS.	PART NO.	NAME OF PART	AMT.
PL-59481			
1	00-421829-000G1	Element Head Assy. (85 Series).....	1
2	00-422322-000G1	Element Head Assy. (50 Series).....	1
3	00-422737-00001	Probe - Thermistor (85 Series).....	1
4	00-422737-00002	Probe - Thermistor (50 Series).....	1
5	00-416782-00001	Bracket - Hi-Limit.....	AR
6	00-416782-00002	Bracket - Hi-Limit.....	1
7	00-414177-00001	Clamp - Bottom Element (50 Series).....	2
8	00-422380-00001	Clamp - Bottom Element (85 Series).....	1
9	00-422381-000G1	Clamp - Top Element Assy. (85 Series).....	4
10	00-414178-000G2	Clamp - Top Element Assy. (50 Series).....	4
11	00-416741-000G9	Element Assy. (208 V., 8500 kW) (50 Series).....	2
12	00-416741-00G12	Element Assy. (480 V., 8500 kW) (50 Series).....	2
13	00-416741-00G11	Element Assy. (240 V., 8500 kW) (50 Series).....	2
14	00-421892-000G1	Element Assy. (208 V., 12000 kW) (85 Series).....	2
15	00-421892-000G4	Element Assy. (480 V., 12000 kW) (85 Series).....	2
16	00-421892-000G3	Element Assy. (240 V., 12000 kW) (85 Series).....	2
	00-414146-00002	Thermostat Hi-Limit.....	1
	00-426801-00001	Switch - Wired.....	1
	00-426801-00002	Magnet - Switch Element Head.....	1
	00-422380-00001	Clamp - Rear Lower Element (85 Series).....	1
	00-414178-000G3	Clamp - Top Element Assy. With Guard (50 Series).....	1
	00-422381-000G2	Clamp - Top Element Assy. With Guard (85 Series).....	1
	00-422414-00001	Clamp - Front Lower Element (85 Series).....	1
	00-427764-00001	Clamp - Front Lower Element (50 Series).....	1
	00-414305-00001	Gasket - Wire Chase.....	1
	00-416736-00001	Gasket - Element Flange.....	4
	00-422737-00002	Probe - Thermistor (50 Series).....	1
	00-422737-00001	Probe - Thermistor (85 Series).....	1



**OIL RETURN
(STAND ALONE WITH FILTER)**

**OIL RETURN
(STAND ALONE WITH FILTER)**

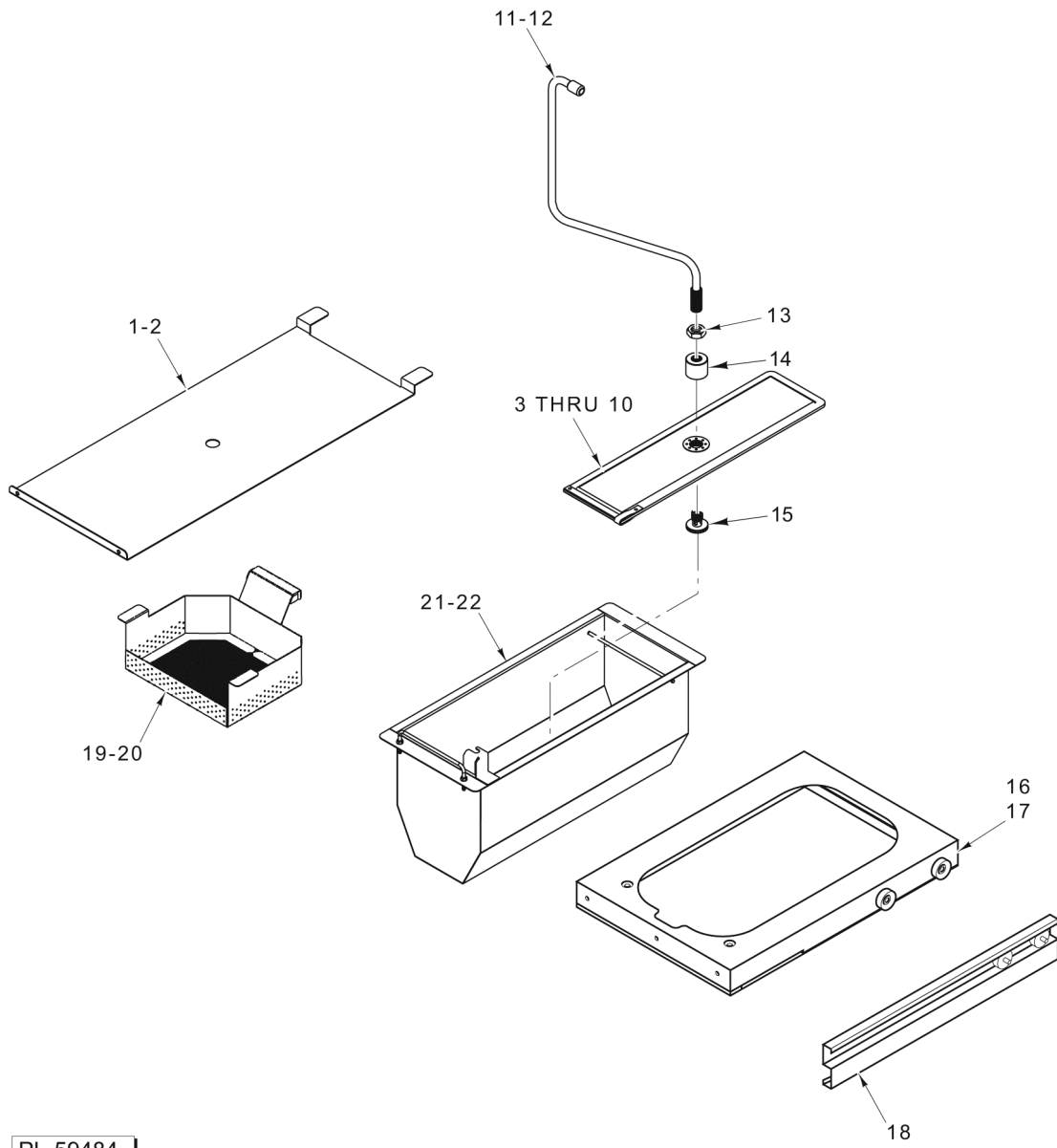
ILLUS. PL-59482	PART NO.	NAME OF PART	AMT.
1	00-419251-00001	Fitting - 90 Deg. Swivel.....	1
2	FP-035-91	Pipe 1/2 x 1-1/8 TBE.....	1
3	FP-013-17	Elbow - Street 1/2 x 90 Deg.....	1
4	00-418786-00001	Valve - Check.....	1
5	FP-035-91	Pipe 1/2 x 1-1/8 TBE.....	1
6	00-959909-00001	Valve - Solenoid (120 V.).....	1
7	00-959909-00002	Valve - Solenoid (208 V.).....	1
8	FP-019-25	Tee 1/2 x 1/2 x 1/2.....	1
9	FP-013-17	Elbow - Street 1/2 x 90 Deg.....	1
10	FP-035-96	Pipe 1/2 x 2-1/2 TBE.....	1
11	FP-077-68	Elbow 1/2 x 90 Deg.....	1
12	FP-035-95	Pipe 1/2 x 2 TBE.....	1
13	FP-035-95	Pipe 1/2 x 2 TBE.....	1
14	FP-077-68	Elbow 1/2 x 90 Deg.....	1
15	FP-035-91	Pipe 1/2 x 1-1/8 TBE.....	1
16	00-428753-00001	Valve - Oil Discharge.....	1
17	00-426805-000G2	Switch - Magnetic (Wired).....	1
18	00-426801-00002	Magnet - Switch Element Head Mounted.....	1
19	SC-018-55	Mach. Screw 4-40 x 1/2 Phil. Pan Hd.....	4
20	NS-044-01	Nut Assy. 4-40 KEPS.....	4
21	00-428697-00001	Actuator - Oil Discharge.....	1
22	00-428694-000G1	Valve - Discard (LH) (Incls. Items 15 thru 20).....	1
23	SC-116-19	Shoulder Bolt 1/4-20 x 3/4.....	1
24	FP-077-68	Elbow 1/2 x 90 Deg.....	1
25	FP-035-95	Pipe 1/2 x 2 TBE.....	1
26	FP-019-25	Tee 1/2 x 1/2 x 1/2.....	1
27	FP-036-91	Pipe 1/2 x 91/2 TBE.....	1
28	FP-090-81	Pipe 1/2 x 13-1/2 TBE.....	1
29	00-418781-00001	Quick Disconnect Male.....	1
30	NS-046-52	Nut Assy. 1/4-20 Hex.....	1
31	WS-029-49	Washer.....	1
32	00-416435-00002	Grip (Yellow).....	1
33	00-428693-00006	Rod - Pull Kleenscreen.....	AR
34	NS-046-52	Nut Assy. 1/4-20 Hex.....	2
35	00-521820	U-Bolt.....	1
36	00-426567-00002	O-Ring (Viton).....	2
37	00-426567-00003	Receptacle - Oil Suction.....	1
38	FP-013-17	Elbow - Street 1/2 x 90 Deg.....	1
39	SC-114-01	Mach. Screw 10-32 x 3/8 Hex Washer Hd.....	1
40	00-417792-00005	Pump Motor Assy. (115 V., 60 Hz.) (8 G.P.M.).....	1
41	00-417792-00006	Pump Motor Assy. (208 V., 50/60 Hz.).....	1
42	FP-013-17	Elbow - Street 1/2 x 90 Deg.....	1
43	FP-035-95	Pipe 1/2 x 2 TBE.....	1
44	FP-077-68	Elbow 1/2 x 90 Deg.....	1
45	00-426602-00004	Tube - Flex (19 In.) Suction.....	1
46	FP-035-91	Pipe 1/2 x 1-1/8 TBE.....	1
	00-422281-00008	Hose - Discard (4 Ft.).....	1
	00-956900-00001	Bracket - Suction Block.....	1



**OIL RETURN
(BATTERY WITH FILTER)**

OIL RETURN (BATTERY WITH FILTER)

ILLUS. PL-59483	PART NO.	NAME OF PART	AMT.
1	00-418781-00001	Quick Disconnect.....	1
2	FP-090-81	Pipe 1/2 x 13-1/2 TBE.....	1
3	FP-090-88	Pipe 1 1/4 x 2 3/4 TBE (HXE5 & HF50 Series).....	1
4	NS-046-51	Nut Assy. 8-32 Hex.....	1
5	FP-019-25	Tee 1/2 x 1/2 x 1/2.....	1
6	FP-035-94	Pipe 1/2 x 1-1/2 TBE.....	1
7	WS-029-49	Washer.....	1
8	SC-116-19	Shoulder Bolt 1/4-20 x 3/4.....	1
9	FP-028-14	Pipe - Plug 1/2 Sq. Hd.....	1
10	FP-019-25	Tee 1/2 x 1/2 x 1/2.....	1
11	FP-035-95	Pipe 1/2 x 2 TBE.....	1
12	FP-059-63	Pipe 1/2 x 6 TBE.....	1
13	FP-090-81	Pipe 1/2 x 13-1/2 TBE.....	1
14	FP-013-17	Elbow - Street 1/2 x 90 Deg.....	1
15	00-419251-00001	Fitting - 90 Deg. Swivel.....	1
16	FP-035-95	Pipe 1/2 x 2 TBE.....	1
17	FP-077-68	Elbow 1/2 x 90 Deg.....	1
18	00-418786-00001	Valve - Check.....	1
19	FP-035-91	Pipe 1/2 x 1-1/8 TBE.....	1
20	00-959909-00001	Valve - Solenoid (120 V.).....	1
21	00-959909-00002	Valve - Solenoid (208 V.).....	1
22	FP-035-91	Pipe 1/2 x 1-1/8 TBE.....	1
23	FP-059-18	Pipe 1/2 x 3-1/2 TBE.....	1
24	00-419251-00001	Fitting - 90 Deg. Swivel.....	1
25	FP-035-95	Pipe 1/2 x 2 TBE.....	1
26	FP-013-17	Elbow - Street 1/2 x 90 Deg.....	1
27	00-418786-00001	Valve - Check.....	1
28	FP-035-91	Pipe 1/2 x 1-1/8 TBE.....	1
29	00-959909-00001	Valve - Solenoid (120 V.).....	1
30	00-959909-00002	Valve - Solenoid (208 V.).....	1
31	FP-035-91	Pipe 1/2 x 1-1/8 TBE.....	1
32	FP-028-14	Pipe - Plug 1/2 Sq. Hd.....	1
33	FP-019-25	Tee 1/2 x 1/2 x 1/2.....	1
34	FP-077-68	Elbow 1/2 x 90 Deg.....	1
35	00-417792-00005	Pump Motor Assy. (115 V., 60 Hz.) (8 G.P.M.).....	1
36	00-417792-00006	Pump Motor Assy. (208 V., 50/60 Hz.).....	1
37	FP-013-17	Elbow - Street 1/2 x 90 Deg.....	1
38	SC-114-01	Mach. Screw 10-32 x 3/8 Hex Washer Hd.....	1
39	00-426567-00002	O-Ring (Viton).....	2
40	00-426567-00003	Receptacle - Oil Suction.....	1
41	FP-019-25	Tee 1/2 x 1/2 x 1/2.....	1
42	00-426602-00004	Tube - Flex (19 In.).....	1
43	FP-035-91	Pipe 1/2 x 1-1/8 TBE.....	1
44	00-426602-00004	Tube - Flex (19 In.).....	1
45	FP-035-94	Pipe 1/2 x 1-1/2 TBE.....	1
46	00-426602-00002	Tube - Flex (29 In.).....	1
47	FP-019-25	Tee 1/2 x 1/2 x 1/2.....	1
48	FP-035-95	Pipe 1/2 x 2 TBE.....	1
49	FP-077-68	Elbow 1/2 x 90 Deg.....	1
50	FP-035-91	Pipe 1/2 x 1-1/8 TBE.....	1
51	00-426803-000G2	Valve Assy. (Incls. Items 52 thru 55).....	1
52	00-426805-000G2	Switch - Magnetic (Wired).....	1
53	00-426801-00002	Magnet - Switch Element Head.....	1
54	SC-018-55	Mach. Screw 4-40 x 1/2 Phil. Pan Hd.....	4
55	NS-044-01	Nut Assy. 4-40 KEPS.....	4
56	00-428693-00004	Rod - Pull Kleenscreen.....	1
57	00-416435-00002	Grip (Yellow).....	1
58	FP-077-68	Elbow 1/2 x 90 Deg.....	1
	00-521820	U-Bolt.....	1

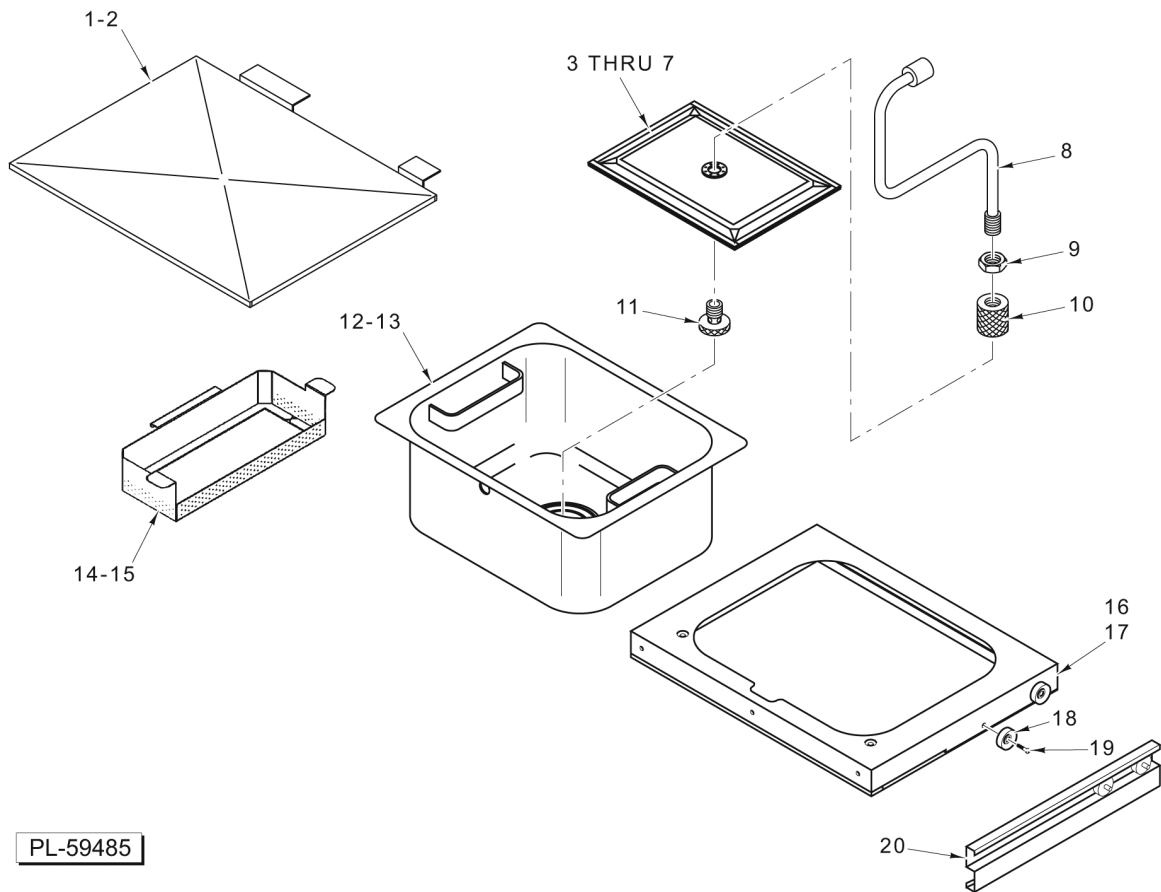


PL-59484

**FILTER ASSEMBLY
(STAND ALONE WITH FILTER)**

**FILTER ASSEMBLY
(STAND ALONE WITH FILTER)**

ILLUS. PL-59484	PART NO.	NAME OF PART	AMT.
1	00-956904-00001	Splash Guard (50 Series).....	1
2	00-956904-00002	Splash Guard (85 Series).....	1
3	00-499087-00002	Screen - Fine Mesh Filter (50 Series).....	1
4	00-499087-00004	Screen - Fine Mesh Filter (85 Series).....	1
5	00-499085-00003	Insert - Filter Screen (50 Series).....	1
6	00-499085-00006	Insert - Filter Screen (85 Series).....	1
7	00-499086-000G4	Filter - Envelope (6 Pack) (50 Series).....	1
8	00-499086-000G6	Filter - Envelope (6 Pack) (85 Series).....	1
9	00-499089-00002	Clip - Filter (50 Series).....	1
10	00-499089-00003	Clip - Filter (85 Series).....	1
11	00-956901-000G4	Tube - Suction (50 Series).....	1
12	00-956901-000G8	Tube - Suction (85 Series).....	1
13	NS-017-49	Jam Nut 3/4-16 Hex.....	1
14	00-499083-00002	Coupling - Suction.....	1
15	00-499084-00002	Knob - Port Suction.....	1
16	00-428180-000G6	Drawer Assy. (50 Series).....	1
17	00-428180-000G7	Drawer Assy. (85 Series).....	1
18	00-958026-000G2	Guide - Roller.....	1
19	00-426606-000G5	Basket - Scrap (50 Series).....	1
20	00-426606-000G7	Basket - Scrap (85 Series).....	1
21	00-958000-000G1	Pan Assy. - Filter (50 Series).....	1
22	00-958000-000G2	Pan Assy. - Filter (85 Series).....	1
	00-499486-00001	Clip - Drain Pipe.....	1
	00-413927-00001	Grommet - Rubber.....	1
	00-499085-00005	Insert - Envelope (50 Series).....	1
	00-499085-00006	Insert - Filter Screen Insert - Envelope (85 Series).....	1



**FILTER ASSEMBLY
(BATTERY WITH FILTER)**

**FILTER ASSEMBLY
(BATTERY WITH FILTER)**

ILLUS. PL-59485	PART NO.	NAME OF PART	AMT.
1	00-428518-00001	Splash Guard (50 Series).....	1
2	00-428519-00001	Splash Guard (85 Series).....	1
3	00-499087-00001	Screen - Fine Mesh Filter.....	1
4	00-499085-00001	Insert - Filter Screen.....	1
5	00-499085-00002	Insert - Filter Envelope.....	1
6	00-499089-00001	Clip - Filter.....	1
7	00-499086-000G2	Filter - Envelope (6 Pack).....	1
8	00-499081-000G3	Tube - Suction.....	1
9	NS-017-49	Jam Nut 3/4-16 Hex.....	1
10	00-499083-00002	Coupling - Suction.....	1
11	00-499084-00002	Knob - Port Suction.....	1
12	00-497374-000G1	Vessel Assy. (50 Series).....	1
13	00-497374-000G2	Vessel Assy. (85 Series).....	1
14	00-426606-000G4	Basket - Scrap (50 Series).....	1
15	00-426606-000G6	Basket - Scrap (85 Series).....	1
16	00-428180-000G4	Drawer Assy. (Incls. Items 18, 19, & 20) (50 Series).....	1
17	00-428180-000G5	Drawer Assy. (Incls. Items 18, 19, & 20) (85 Series).....	1
18	00-426600-00002	Bearing - Roller.....	2
19	00-426600-00003	Screw 1/4-20.....	2
20	00-426600-000G1	Roller Guide Assy.....	1
	00-422281-00007	Hose - Discard (6 Ft.).....	1
	00-499486-00001	Clip - Drain Pipe.....	1
	00-413927-00001	Grommet - Rubber.....	1

