



CATALOG OF REPLACEMENT PARTS

GAS CONVECTION OVEN



SG4

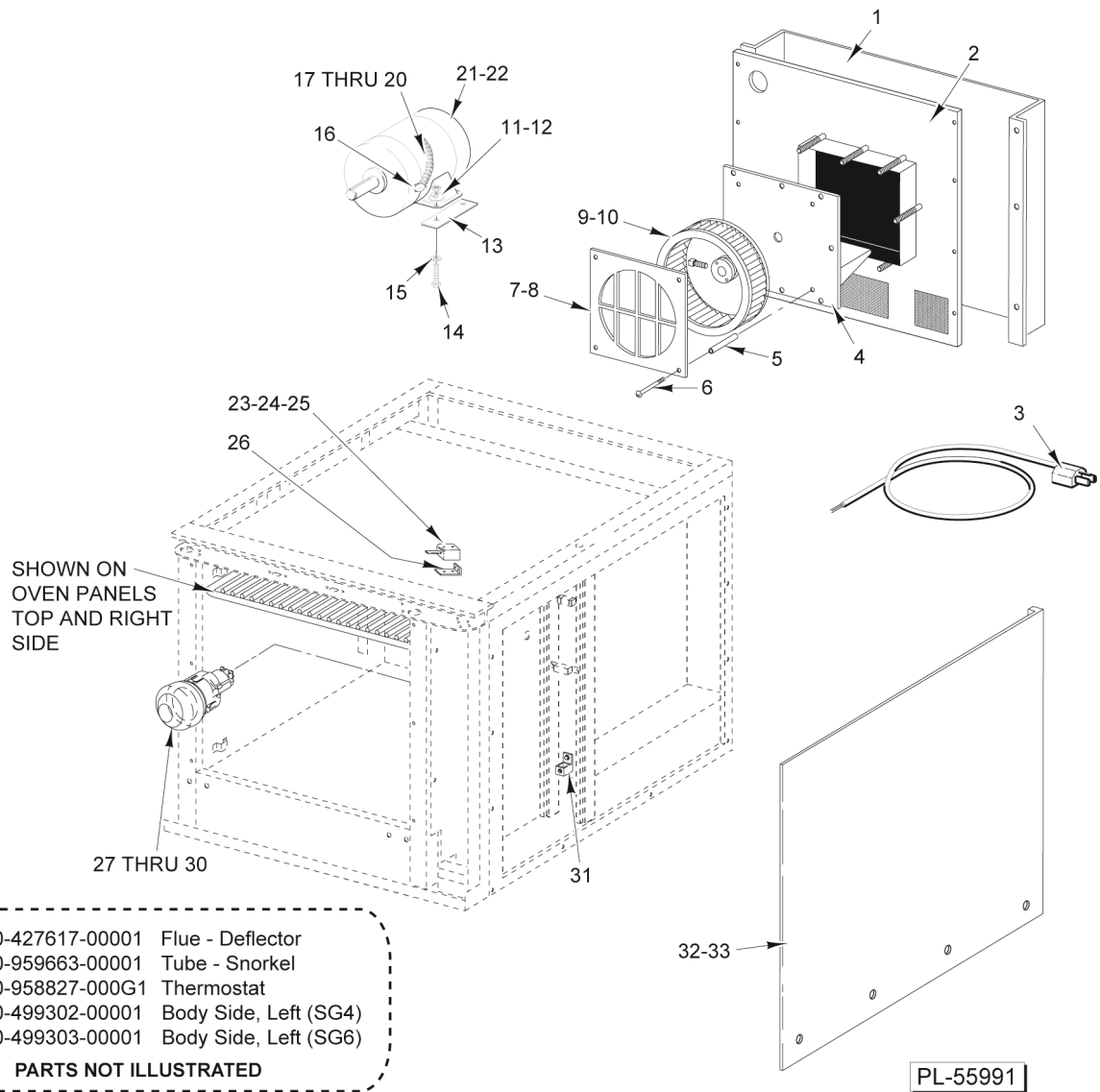
ML-126610

SG6

ML-126612

Table of Contents

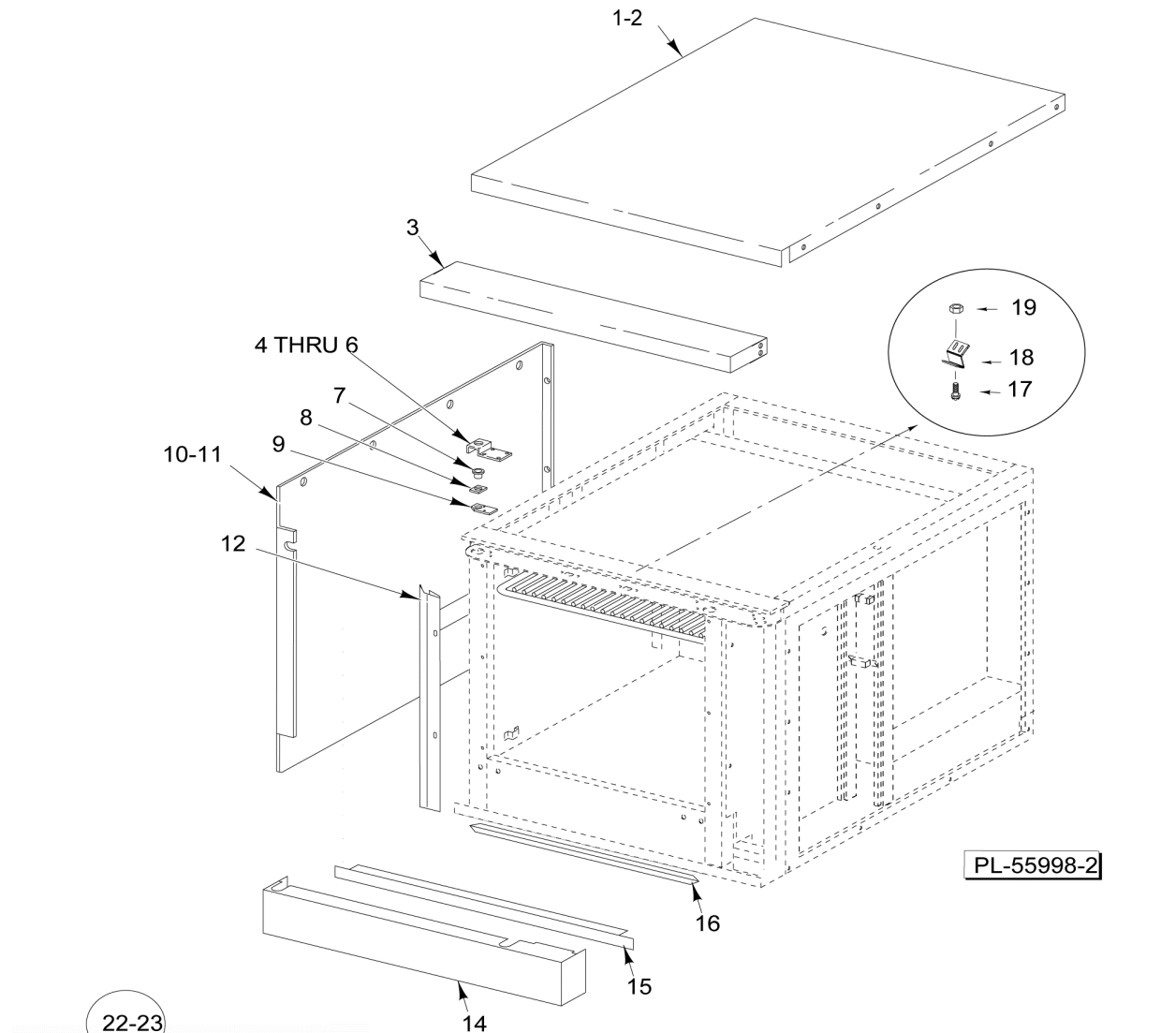
5 OVEN PANELS REAR AND LEFT SIDE
7 OVEN PANELS TOP AND RIGHT SIDE
9 DOOR ASSEMBLY (INDEPENDENTLY OPENING DOORS)
11 GAS PIPING AND FLAME CHAMBER
13 ELECTRICAL COMPONENT PANEL
15 CONTROL PANELS



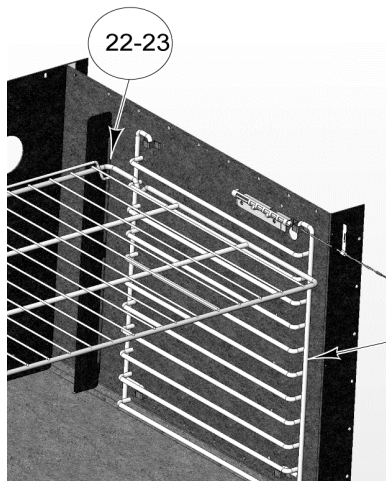
OVEN PANELS REAR AND LEFT SIDE

OVEN PANELS REAR AND LEFT SIDE

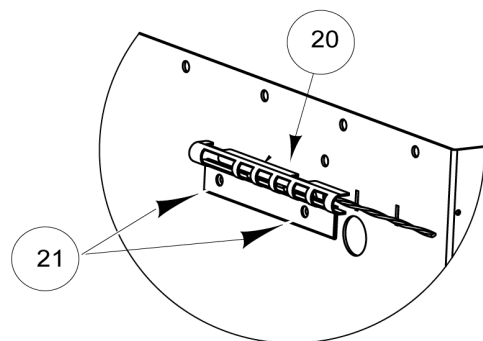
ILLUS. PL-55991	PART NO.	NAME OF PART	AMT.
1	00-424840-00002	Panel - Back (SST) (Optional).....	1
2		Not Available for Service.....	1
3	00-405016-00001	Cord - Electric Supply (120 V. Only).....	1
4	00-423289-000G1	Motor Mount.....	1
5	00-411289-00004	Spacer - Fan Housing.....	4
6	SC-120-15	Mach. Screw 1/4-20 x 4 Rd. Hd.....	4
7	00-411136-00004	Cover - Fan (60 Hz.).....	1
8	00-411136-00003	Cover - Fan (50 Hz.).....	1
9	00-415780-00003	Wheel - Blower (60 Hz.).....	1
10	00-415780-00005	Wheel - Blower (50 Hz.).....	1
11	WS-029-46	Washer.....	4
12	NS-046-86	Nut Assy. 5/16-18 KEPS Hex.....	4
13	00-358723-00001	Spacer - Steel.....	4
14	SC-113-65	Cap Screw 5/16-18 x 1-1/4 Hex Hd.....	4
15	WS-029-46	Washer.....	4
16	FE-002-52	Connector - Conduit 3/8 TS 90 Degree.....	1
17	FE-006-05	Lock Nut 1/2.....	1
18	00-414540-00B35	Conduit 3/8 x 35 In. Lg.....	2
19	00-342285-00001	Bushing - Plastic.....	1
20	FE-002-03	Connector - Conduit 3/8 TS Straight.....	1
21	00-358516-00001	Motor 1/2 Hp. (2-Speed) (115 V., 50/60 Hz., 1 Ph.).....	1
22	00-358516-00002	Motor 1/2 Hp. (2-Speed) (208-240 V., 50/60 Hz., 1 Ph.).....	1
23	00-499310-000G1	Micro Switch Kit (Includes items 24, 25, & 26).....	1
24	00-411496-000F1	Switch - Micro (Door).....	1
25	SD-034-47	Self-Tapping Screw 6-32 x 1 Hex Washer Hd., Type T.....	2
26	00-425324-00001	Bracket - Door Switch.....	1
27	00-357036-00001	Oven Lamp (40 Watts) (120-130 V.).....	2
28	00-357036-00002	Oven Lamp (40 Watts) (250 V.).....	2
29	00-423832-00001	Cover - Light (Metal).....	2
30	00-357036-00003	Lens - Lamp.....	1
31	00-417856-00001	Lug - Grounding (With Set Screw).....	1
32	00-424140-00002	Panel - Outer (RH) (SST) (SG4).....	1
33	00-424228-00002	Panel - Outer (RH) (SST) (SG6).....	1
34	00-427617-00001	Flue - Deflector.....	1
35	00-959663-00001	Tube - Snorkel.....	1
36	00-958827-000G1	Thermostat (High Limit) (With Mounting Plate).....	1
37	00-499302-00001	Body Side - Left (SG4).....	1
38	00-499303-00001	Body Side - Left (SG6).....	1



OVEN PANELS



RH CAVITY SIDE



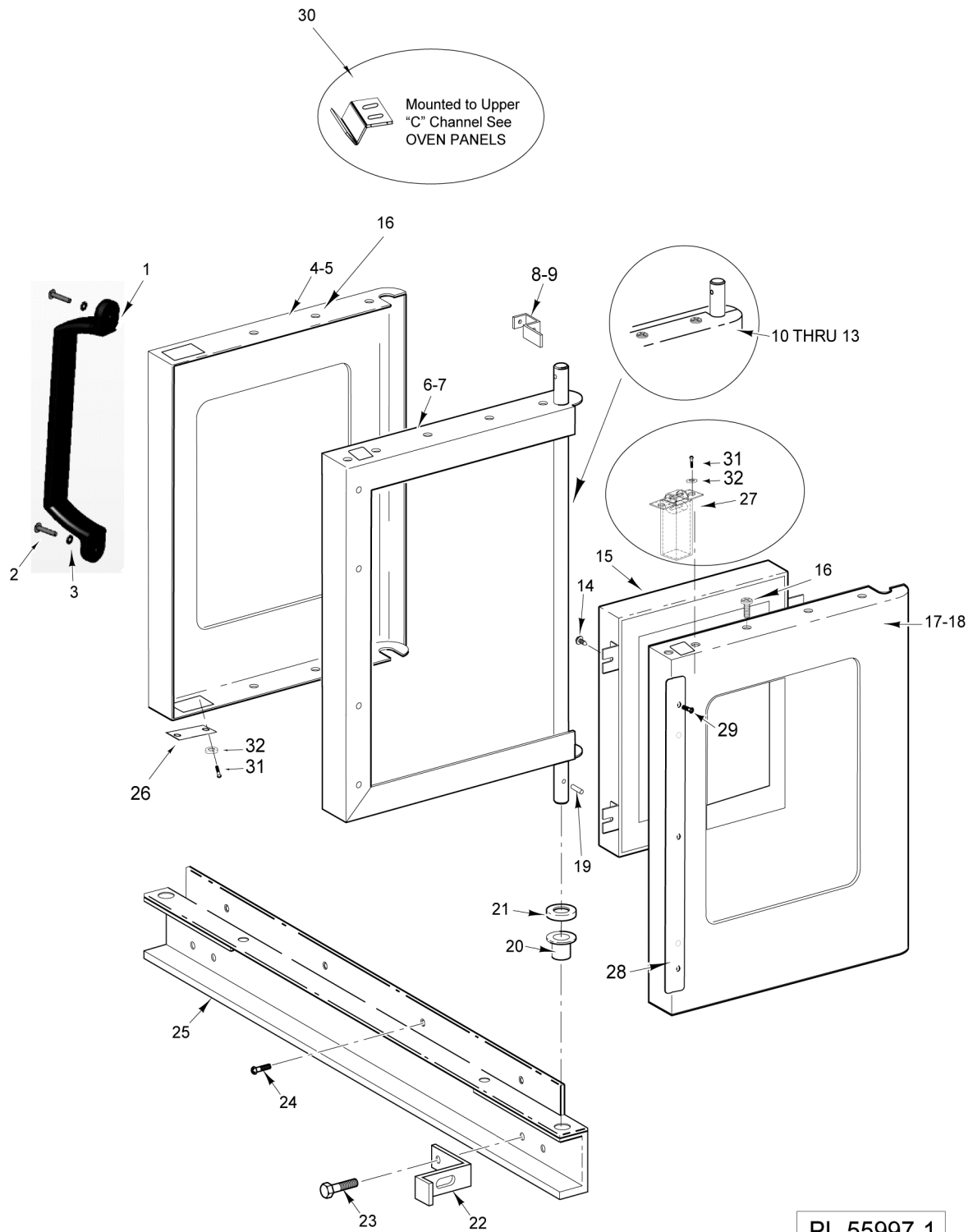
PROBE AND RETAINER

OVEN PANELS TOP AND RIGHT SIDE

OVEN PANELS TOP AND RIGHT SIDE

ILLUS.	PART NO.	NAME OF PART	AMT.
PL-55998-2			
1	00-424141-00002	Top (SST) (SG4).....	1
2	00-424229-00002	Top (SST) (SG6).....	1
3	00-421799-00001	Top - Front.....	1
4	00-353484-00001	Plate - Retainer.....	1
5	SC-053-46	Mach. Screw 1/4-20 x 3/4 Slotted Truss Hd. (SST).....	2
6	NS-038-08	Lock Nut 1/4-20 x 1 Hex.....	4
7	00-347080-00002	Bearing - Door Shaft.....	2
8	00-353482-00001	Spacer.....	2
9	00-353483-00001	Plate - Upper Door Bearing.....	2
10	00-499302-00001	Panel - Outer (SST) (LH) (SG4).....	1
11	00-499303-00001	Panel - Outer (SST) (LH) (SG6).....	1
12	00-423842-000G1	Seal - Vertical Door (Set) (LH & RH).....	1
13	00-959456-00001	Support - Rack Guide (LH & RH) (SG4 & SG6).....	2
14	00-499261-00002	Trim - Bottom.....	1
15	00-424865-00001	Cover - Trim.....	1
16	00-357507-00001	Seal - Horizontal Door (30-1/2 In. Long) (Top & Bottom).....	2
	00-357919-00001	Kit - Door Seal.....	1
17	SC-115-51	Mach. Screw 10-32 x 1/2 Phil. Truss Hd.....	4
18	00-497585-00001	Plate - Strike.....	2
19	NS-038-03	Lock Nut 10-32 SP.....	4
20	00-959753-00001	Probe Guard & Retainer.....	1
21	SD-032-07	Self-Tapping Screw 10-24 x 1/2 Hex Washer Hd., Type TT.....	2
22	00-959523-00001	Rack Assy (SG4).....	AR
23	00-959523-00002	Rack Assy (SG6).....	AR
*24	00-424157-000G7	Leg Assembly for Caster and Foot (Painted Black).....	4

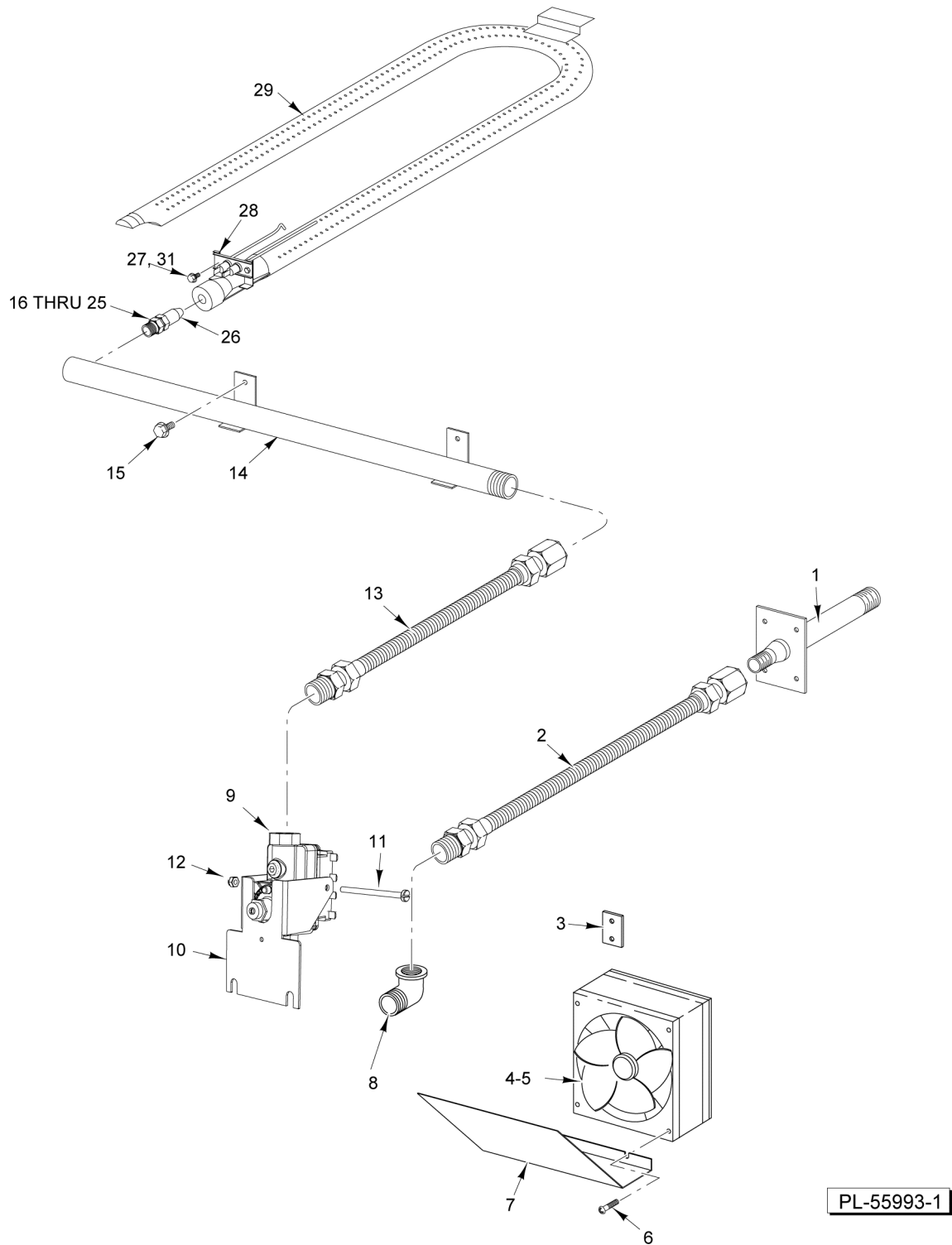
* NOTE: Items Not Shown



**DOOR ASSEMBLY
(INDEPENDENTLY OPENING DOORS)**

**DOOR ASSEMBLY
(INDEPENDENTLY OPENING DOORS)**

ILLUS. PL-55997-1	PART NO.	NAME OF PART	AMT.
1	00-913102-00179	Kit - Handle (Incls. Items 1 & 3).....	1
2	00-959087-00001	Screw 1/4-20 x 1-1/4 Black Hd.....	2
3	WL-013-14	Lockwasher 1/4 Internal Shakeproof.....	2
4	00-358600-00001	Shell - Outer Door (LH & RH) (W/Window).....	2
5	00-358600-00002	Shell - Outer Door (LH & RH) (W/Window) (Not Shown).....	2
6	00-421905-000G1	Frame Assy. - Door (RH).....	1
7	00-421904-000G2	Frame Assy. - Door (LH).....	1
8	00-424163-00001	Lever - Door Switch.....	4
9	SD-034-52	Self-Tapping Screw 8-32 x 1 Hex Washer Hd., Type T.....	4
10	00-499285-000G1	Door Assy. (LH) (W/Window).....	1
11	00-499285-000G2	Door Assy. (LH) (W/O Window).....	1
12	00-499286-000G1	Door Assy. (RH) (W/Window).....	1
13	00-499286-000G2	Door Assy. (RH) (W/O Window).....	1
14	SD-034-22	Self-Tapping Screw 10-16 x 5/8 Phil. Truss Hd., Type AB.....	1
15	00-358534-00001	Window Assy.....	1
16	SD-034-22	Self-Tapping Screw 10-16 x 5/8 Phil. Truss Hd., Type AB.....	1
17	00-358532-00001	Panel - Inner Door (W/Window).....	1
18	00-358533-00003	Panel - Inner Door (W/O Window).....	1
19	PS-004-11	Spirol Pin 3/16 x 1-1/4 Heavy.....	1
20	00-347080-00002	Bearing - Door Shaft.....	4
21	00-343143-00002	Washer.....	1
22	00-499263-00001	Door Stop.....	8
23	SC-113-90	Mach. Screw 1/4-20 x 3/4 Hex Hd.....	1
24	SC-022-40	Mach. Screw 1/4-20 x 3/4 Phil. Flat Hd. (SST).....	1
25	00-499262-00001	Channel - Door Sill.....	1
26	00-499264-00001	Plate - Latch Cutout.....	1
27	00-497586-00001	Latch - Door Roller Latch Assembly.....	2
28	00-357837-00001	Seal - Door End.....	1
29	SC-113-78	Cap Screw 1/4-20 x 3/4 Hex Hd.....	2
30	00-497585-00001	Plate - Strike.....	2
31	SC-117-73	Mach. Screw 10-32 x 5/8 Phil. Truss Hd.....	4
32	WL-019-35	Lockwasher #10 Internal.....	4

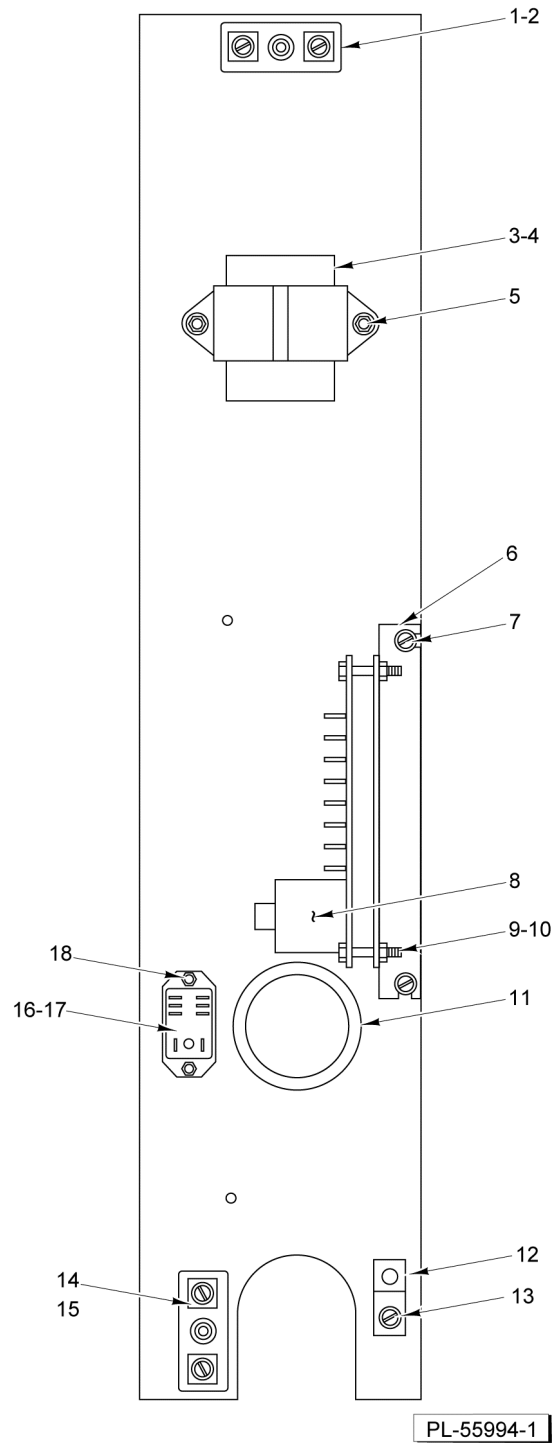


PL-55993-1

GAS PIPING AND FLAME CHAMBER

GAS PIPING AND FLAME CHAMBER

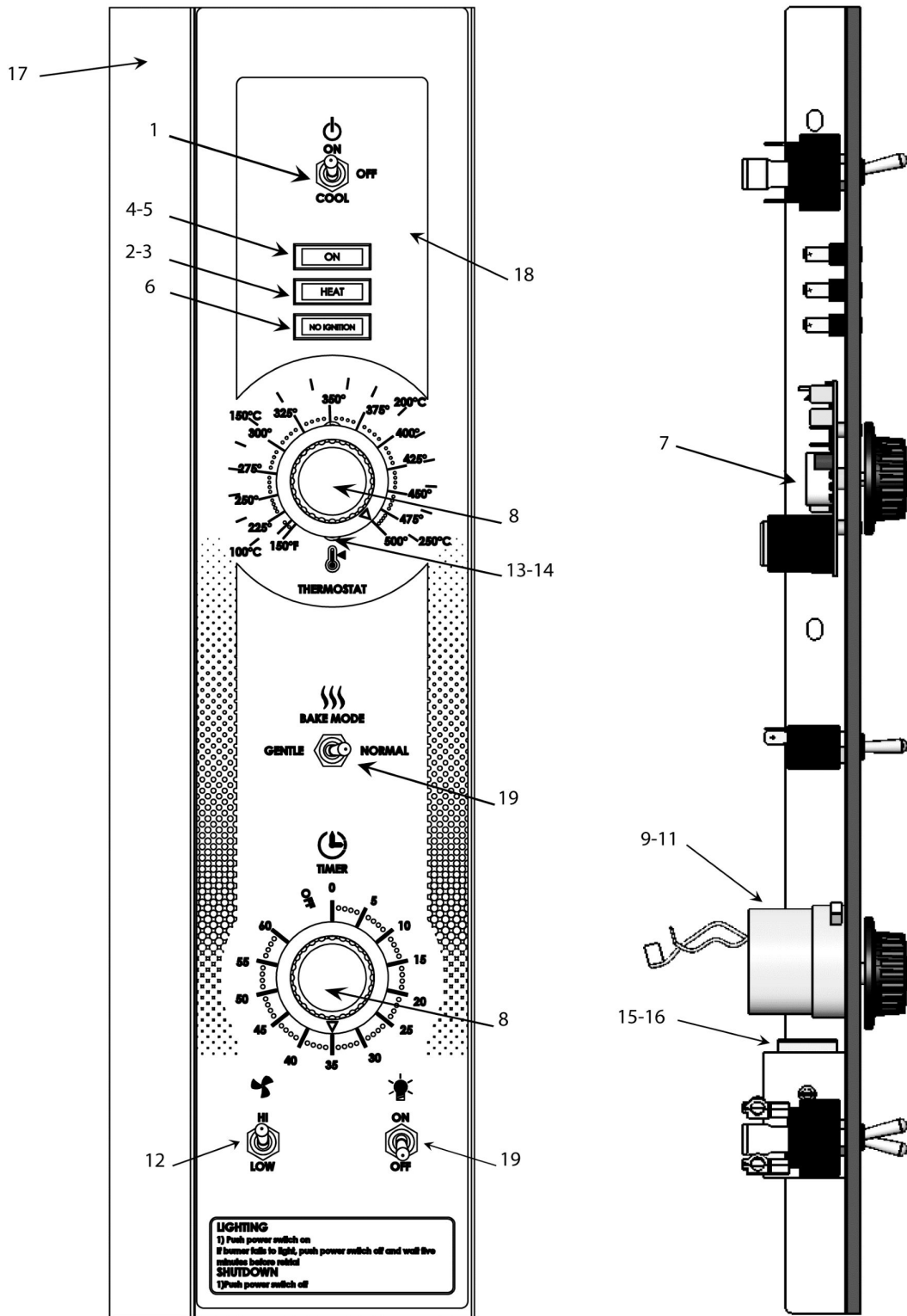
ILLUS.	PART NO.	NAME OF PART	AMT.
PL-55993-1			
1	00-423819-00003	Pipe - Weldment Gas Inlet.....	1
2	00-423828-00006	Tube - Flex (30 In.).....	1
3	00-425433-00001	Fan - Clip.....	4
4	00-424940-00001	Fan - Cooling (120 V.).....	1
5	00-424940-00002	Fan - Cooling (230 V.).....	1
6	SD-034-52	Self-Tapping Screw 8-32 x 1 Hex Washer Hd., Type T.....	1
7	00-423820-00001	Deflector - Air.....	1
8	FP-078-75	Elbow - Pipe 3/8 x 90 Deg.....	1
9	00-959662-00001	Valve - Combination Gas, Convertable (NAT & LP).....	9
10	00-959486-00001	Bracket - Gas Valve.....	1
11	SC-007-93	Mach. Screw 10-24 X 2-1/2 Slotted Rd. Hd.....	1
12	NS-048-22	Nut, Lock SP. 10-24.....	1
13	00-423828-00007	Tube - Flex (18 In.).....	1
14	00-424138-00001	Manifold.....	1
15	SC-113-80	Cap Screw 1/4-20 x 1/2 Hex Hd.....	2
16	00-010901-00029	Orifice - Spud (29 Drill) (NAT) (Sea Level to 2499 Ft.).....	1
17	00-010901-00030	Orifice - Spud (30 Drill) (NAT) (2500 to 3499 Ft.).....	1
18	00-010901-00030	Orifice - Spud (30 Drill) (NAT) (3500 to 4499 Ft.).....	1
19	00-010901-00031	Orifice - Spud (31 Drill) (NAT) (4500 to 6499 Ft.).....	1
20	00-010901-00031	Orifice - Spud (31 Drill) (NAT) (6500 to 8499 Ft.).....	1
21	00-010901-00032	Orifice - Spud (32 Drill) (NAT) (8500 to 10500 Ft.).....	1
22	00-010901-00044	Orifice - Spud (44 Drill) (PRO/BUT) (Sea Level to 2499 Ft.).....	1
23	00-010901-00045	(PRO/BUT) (2500 to 4499 Ft.).....	1
24	00-010901-00047	Orifice - Spud (47 Drill) (PRO/BUT) (4500 to 7499 Ft.).....	1
25	00-010901-00048	Orifice 1 Spud (48 Drill) (PRO/BUT) (7500 to 10500 Ft.).....	1
23	00-417879-00001	Nozzle - Burner.....	1
27	SC-114-27	Mach. Screw 8-32 x 1/2 Phil. Pan Hd.....	2
28	00-959507-00001	Igniter - Burner.....	1
29	00-959508-00001	Burner.....	1
30	00-959379-00001	Cover - Burner Access, Mid (Not Shown).....	AR
31	NS-044-07	Nut Assy. 8-32 Hex Keps.....	1



ELECTRICAL COMPONENT PANEL

ELECTRICAL COMPONENT PANEL

ILLUS.	PART NO.	NAME OF PART	AMT.
	PL-55994-1		
1	00-417934-000G1	Block Assy. - Porcelain.....	1
2	SD-034-52	Self-Tapping Screw 8-32 x 1 Hex Washer Hd., Type T.....	1
3	00-411500-00012	Transformer (120 VAC, 24 V., 40 VA).....	1
4	00-411500-00013	Transformer (200-240 VAC, 28 V., 20 VA).....	AR
5	SD-032-07	Self-Tapping Screw 10-24 x 1/2 Hex Washer Hd., Type TT.....	2
6	00-423760-00001	Bracket - Ignition Module.....	1
7	SD-032-07	Self-Tapping Screw 10-24 x 1/2 Hex Washer Hd., Type TT.....	1
8	00-424137-00002	Control - Spark Ignition.....	1
9	SD-034-52	Self-Tapping Screw 8-32 x 1 Hex Washer Hd., Type T.....	2
10	NS-044-07	Nut Assy. 8-32 Hex Keps.....	2
11	FE-024-23	Bushing - Electrical (Snap).....	1
12	00-417856-00001	Lug - Grounding (With Set Screw).....	1
13	SD-032-07	Self-Tapping Screw 10-24 x 1/2 Hex Washer Hd., Type TT.....	1
14	00-417934-000G1	Block Assy. - Porcelain.....	1
15	SD-034-52	Self-Tapping Screw 8-32 x 1 Hex Washer Hd., Type T.....	1
16	00-416535-00006	Relay - Heating (120 V.).....	1
17	00-416535-00007	Relay - Heating (200-240 V.).....	1
18	SD-034-49	Self-Tapping Screw 8-32 x 1/2 Hex Washer Hd., Type T.....	1
19	00-353589-00001	Probe Temperature (SST) (Items Not Shown).....	1
20	00-423813-00003	Wire - Ignition (High Voltage) (Items Not Shown).....	1
21	00-428428-000G1	Wire Assy. - Flame Sensor (Items Not Shown).....	1



CONTROL PANELS

CONTROL PANELS

ILLUS.	PART NO.	NAME OF PART	AMT.
PL-F45395 CONTROL PANEL			
1	00-340324-00008	Switch -Toggle (D.P.D.T) (ON/OFF/ON).....	1
2	00-354575-00010	Light - Indicator (Clear) 120V. (Heat).....	1
3	00-354575-00009	Light - Indicator (Clear) 250V. (Heat).....	1
4	00-354575-00008	Light - Indicator (Amber) 120V. (ON).....	1
5	00-354575-00007	Light - Indicator (Amber) 250V. (ON).....	1
6	00-354575-00004	Light - Indicator 24V. (No-Ign.).....	1
7	00-428897-00008	Board - Temperature Control, NCC.....	1
8	00-411242-00001	Knob.....	1
9	00-411690-00001	Timer (120 V.) (60 Hz.) (1-Hr.).....	1
10	00-411690-00002	Timer (200-240 V.) (60 Hz.) (1-Hr.).....	1
11	00-411690-00005	Timer (240 V.) (50 Hz.) (1-Hr.).....	1
12	00-340324-00009	Switch (D.P.D.T.).....	1
13	SC-114-83	Mach. Screw 6-32 x 1/4 Slotted Pan Hd. (SST).....	2
14	WS-028-20	Washer (SST).....	2
15	00-411499-00003	Buzzer (230 V.).....	1
16	00-411499-00004	Buzzer (115 V.).....	1
17	00-959489-000G1	Panel - Control Weldment.....	1
18	00-959654-00001	Overlay - Panel.....	1
19	00-340324-000012	Switch (S.P.S.T.) (ON/OFF) (Bake Mode & Lights).....	AR

